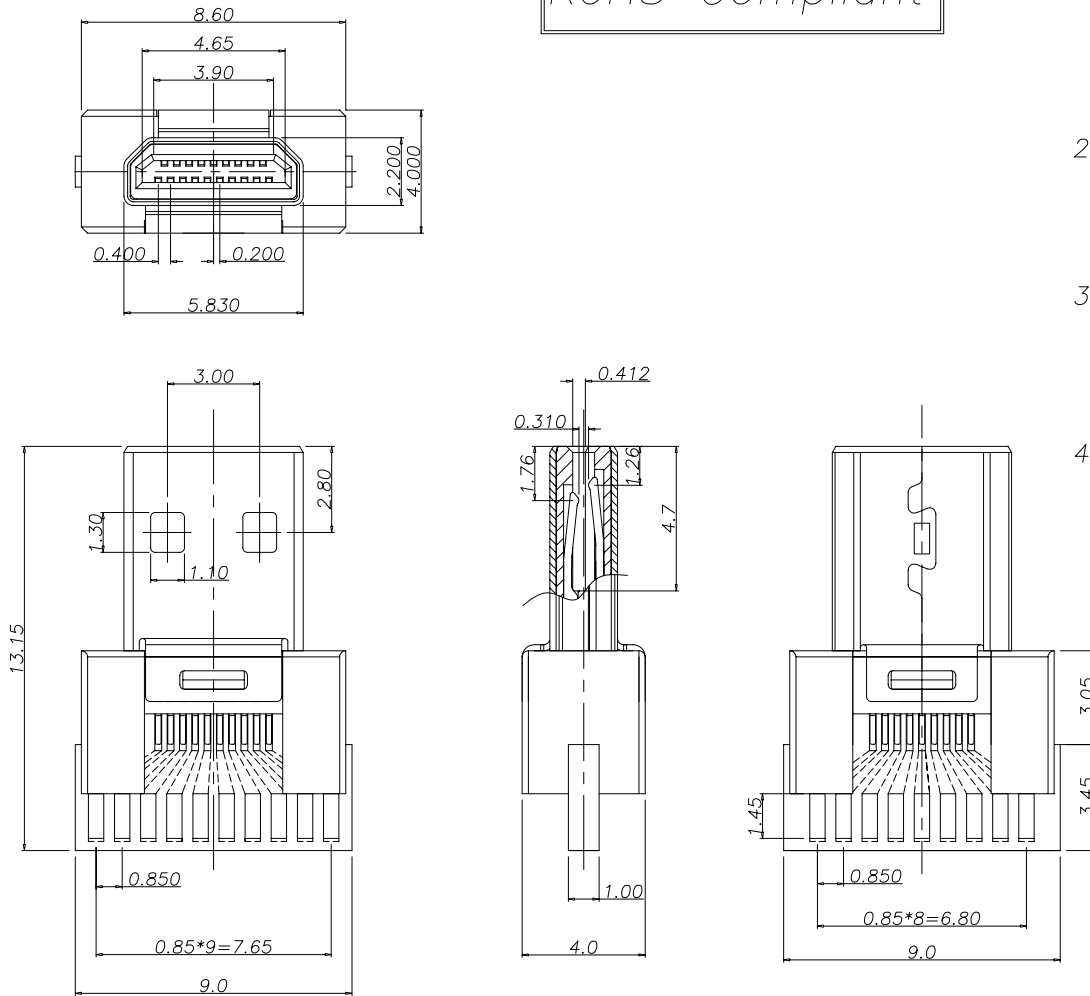


REV.	ECN NO	LOCATIONS	DESCRIPTION	DATE	REVISER	APPD
1.0			New Product	050301		


RoHS Compliant



NOTE:

1. Electrical
 - 1.1. Rated Voltage: 40V AC maximum
 - 1.2. Rated Current: 0.3A max.
 - 1.3. Withstanding Voltage: 150V AC/1 minute,
 - 1.4. Insulation Resistance: 150V DC 10MegaOhms min.
 - 1.5. Contact Resistance: 30MiniOhms Max.
2. Mechanical
 - 2.1. Insertion Force Max: 4.4kgf max.
 - 2.2. Withdrawal Force Min: 0.5kgf min. , 2.5kgf max.
 - 2.3. Durability: 5000 cycles at 100±50 cycles perhour, Contact change from initial value: 30miniOhms Max.
3. Plating
 - 3.1. Terminal:
 - Contact area: 1u" gold plate over 50u" Ni min.
 - Solder area: 100u" pure TIN plate over 50u" Ni min.
 - 3.2. Shell: 1u" gold plate over 100u" Cu min.
4. Environmental:
 - Operating Temperature: -25°C To +85°C

Shroud	LOCPU0	1	UL94-V0 ,Crystal,Non-halogen
PCB	FR-4	1	SN
SHELL	SPCC	1	1u" GOLD PLATE OVER 100u" Cu min.
18Pin TERMINAL	C5191	18	CONTACT AREA:1u" GOLD PLATE OVER 50u" Ni min. SOLDER AREA:100u" PURE TIN PLATE OVER 50u" Ni min.
1Pin TERMINAL(Short)	C5191	1	CONTACT AREA:1u" GOLD PLATE OVER 50u" Ni min. SOLDER AREA:100u" PURE TIN PLATE OVER 50u" Ni min.
HOUSING	LCP	1	BLACK,UL 94-V0
PART NAME	Material	QT'Y	NOTE

MODEL NO:				
MATERIAL: See Note		COLOR:		
UNIT: mm	SAZE: A4	Q'TY:	PART NAME: HDMI D-TYPE 19P W/PCB FOR CABLE ASSM' Y	
TOLERANCE UNSPECIFIED		DRW: Johnson	PRAT NO: HDD-M-CN07	
.X	±0.30	CHK: Charly	DWG NO:	
.XX	±0.15	APP: Charly	SCALE: 1:1	
.XXX	±0.05		SHEET: 1 of 2	
ANG	±1°		REV. 1.0	