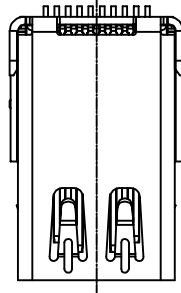
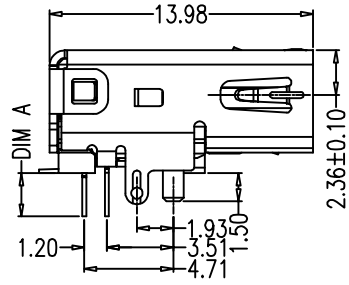


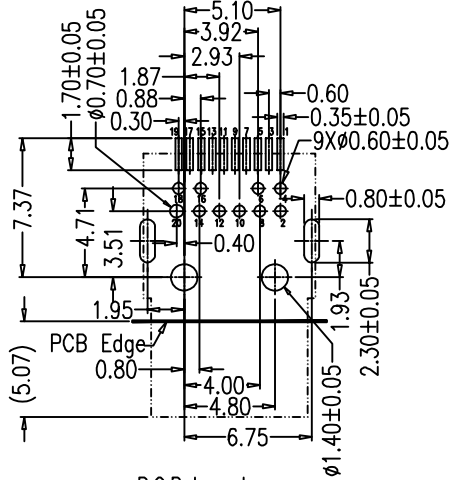
RoHS Compliant

Unit:mm

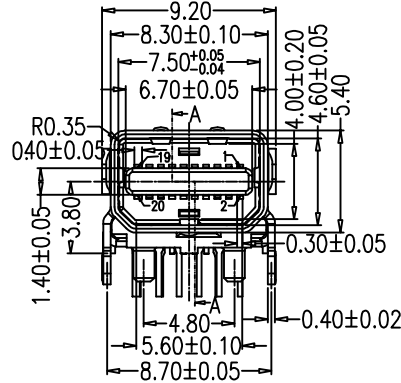
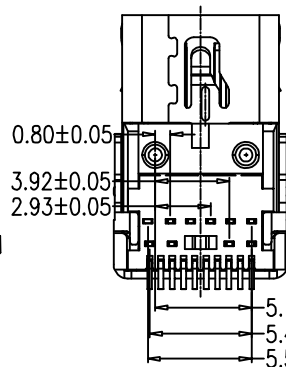
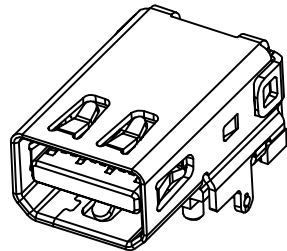
Dim A	P.C.B Thickness
3.10	1.60
2.15~2.30	1.20



Top Row			Bottom Row		
Pin NO.	Signal Type	Pin Name	Pin NO.	Signal Type	Pin Name
1	GND	GND	2	In	HotPlug Detect
3	Out	ML_Lane 0(p)	4	CONFIG	CONFIG1
5	Out	ML_Lane 0(n)	6	CONFIG	CONFIG2
7	GND	GND	8	GND	GND
9	Out	ML_Lane 1(p)	10	Out	ML_Lane 3(p)
11	Out	ML_Lane 1(n)	12	Out	ML_Lane 3(n)
13	GND	GND	14	GND	GND
15	Out	ML_Lane 2(p)	16	I/O	AUX_CH(p)
17	Out	ML_Lane 2(n)	18	I/O	AUX_CH(n)
19	GND	GND	20	PWR Out	DP_PWR



P.C.B Layout
Component side



Section A-A

REV.	ZONE	DESCRIPTION	DESIGN	DATE
A		初版发行	Jack	10.10.15

NOTES:

*Material

Body: LCP+50%G.F UL94V-0 Color:Black
 Insert(Molding): LCP+30%G.F UL94V-0 Color:Black
 Retainer: LCP+50%G.F UL94V-0 Color:Black
 Contact: Phosphor Bronze;
 Plating: Gold plating over Nickel(40~80U")
 on contact area,Tin(100~250U")
 Plating on Solder Tail.

Shell: Brass;
 Plating: Nickle(40~80U") Plating.

*Mechanical

Insertion Force: 4.5Kg Max
 Withdrawal Force: 1.0~4.0Kg Min
 Durability: 10000 Cycles

*Electrical Specification

Current Rating: 0.5 Ampere per contact
 Contact Resistance: 30 mΩ max.
 Insulation Resistance: 100MΩ Min
 Dielectric Withstanding Voltage: 500V AC Min

*Environmental

Operating Temperature: -40°C to +85°C.

Unless otherwise specified tolerances are

X.X	±0.25
X.XX	±0.20
X.XXX	±0.15
X'	±2.0'
X.X'	±1.0'



BossConn

DRAW NO.	DATE	DRAW NAME:
DWN Jack	10.10.15	MINI DP 20P/F SMT+DIP 外壳2脚DIP (APPLES.8)
CHK		P/N : MDP-F-CN03
APVD		

Third Angle Project

FINISH	UNIT	SCALE	WEIGHT	REV	SHEET
MATERIAL	mm	1:1		A	1 OF 1