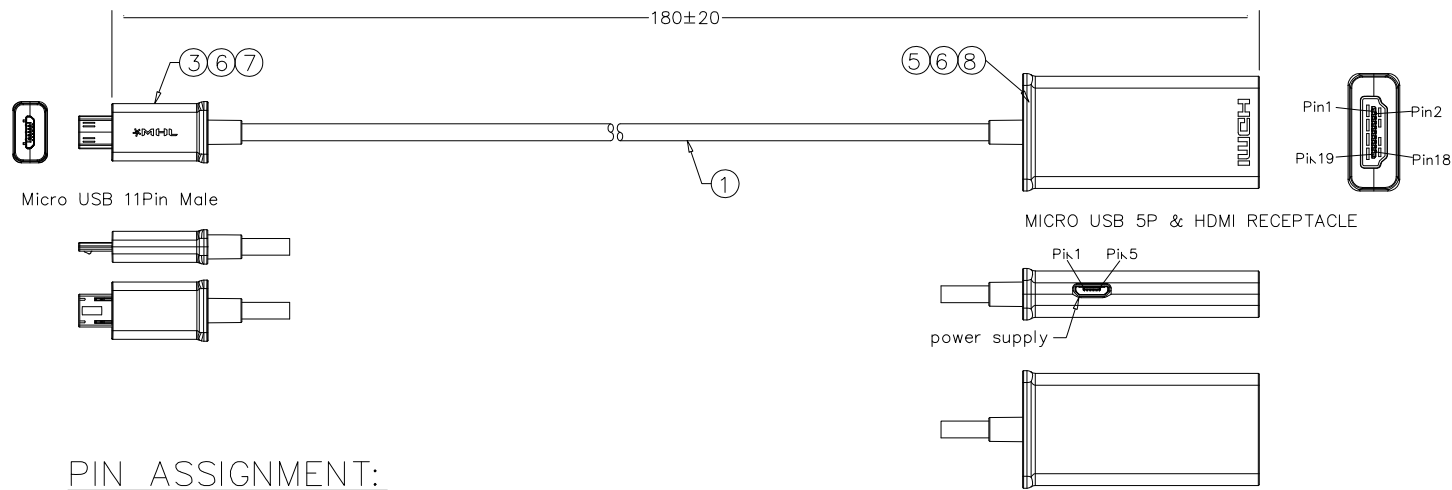


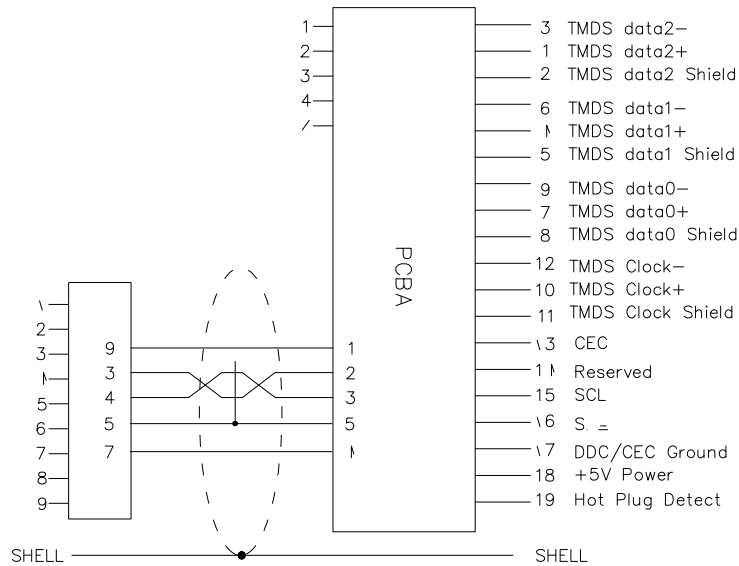
RoHS Compliant

REV	ZO/E	LTR	DESIGN/	DATE	REVISER	APPD
1.0			ew Drawing	2012/09/12	Rey	



PIN ASSIGNMENT:

Micro USB 11Pin (SOURCE) Micro USB F HDMI A TYPE RECEPTACLE (SI/K)



TEST
I9100 Galaxy S2 Infus- 4G TO H-TV TEST

8	OUTER COVER	HDMI A FEMALE CO//ECTOR ABS OUTER COVER BLACK	
7	OUTER COVER	MICRO USB B FEMALE CO//ECTOR ABS OUTER COVER BLACK	
6	OUTSIDE MOLDED/G	PVC 70Pa BLACK T-L94V-0	
5	PCBA	MHL PCBA	
4	CO//ECTOR 3	MICRO USB 5PI/ B/F,CO/TACT G/F,SHELL PLATED /ICKEL	
3	CO//ECTOR 2	MICRO USB 11PI/ M,CO/TACT G/F,SHELL PLATED /ICKEL	
2	CO//ECTOR 1	HDMI A TYPE FEMALE,CO/TACT G/F,SHELL PLATED /ICKEL,W/PCB	
1	CABLE	USB CABLE (30AWG*1P+DW)+28AWG*2C+AL+BD+JACKET OD: 3.5mm BLACK	

NO.	PART /AME	SPEC DESCRIPTION/	REMAKE
IN/ERMOLD		TOLERA/CE UNSPECIFIED ± 0.1 ± 0.38 A/GLE ±	BossConn Electronics SCALE NON UNIT mm NAME MHL ADAPTER L=0.18M SHEET 1/1
OVERMOLD		DRAWN: Rey 12/09/12 DESIGNER: Rey 12/09/12 CHECKED: APPROVED:	
		DRAW/G /O. MHL-CA06	REV 1.0