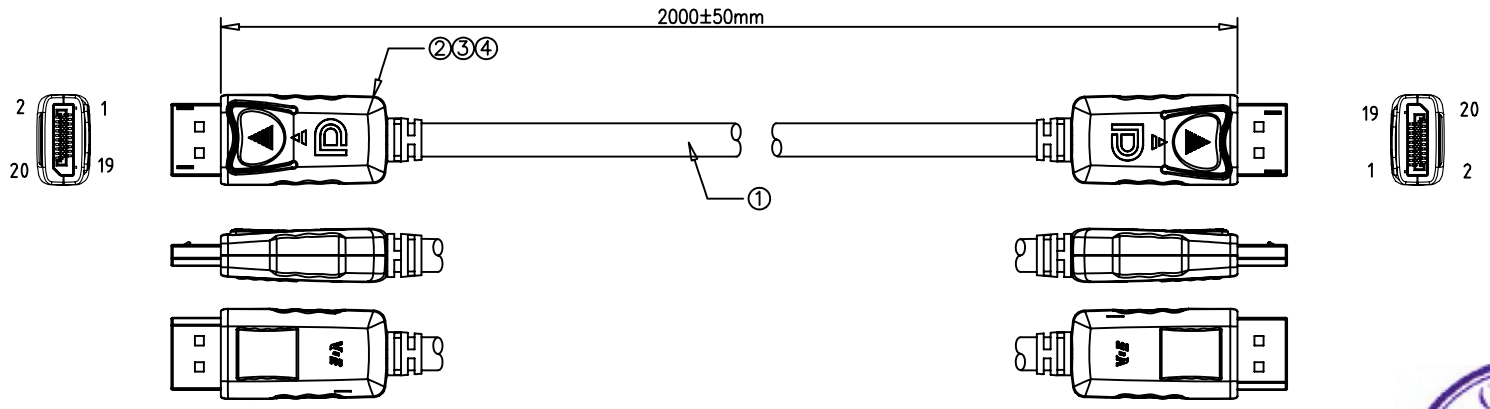
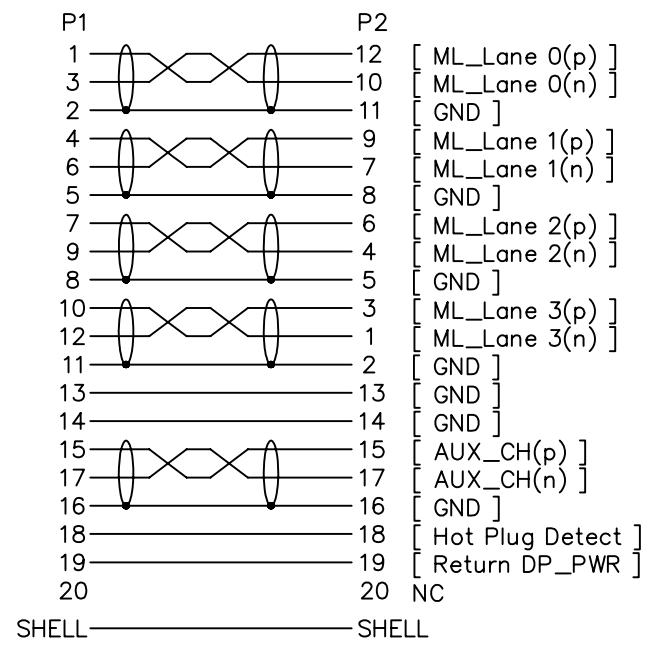


RoHS Compliant

5	ECN NO	REV	DESCRIPTION	DATE	REVISER	APPD
---	--------	-----	-------------	------	---------	------



PIN ASSIGNMENT:



Electrical character:

- a. 100% open & short testing.
- b. Withstanding voltage: DC 300V 0.01Sec.
- c. Insulation resistance: 10M Ohm(Min).
- d. Conductive resistance: 2 Ohm(Max).



4	SHIELD	COPPER FOIL 18u"
3	INNERMOLD	PE LOW DENSITY
2	CONNECTOR	DISPLAYPORT PLUG CONTACT:PLATE GOLD SHELL:PLATE NI W/LATCH W/COVER BLACK
1	CABLE	UL20276 (28AWG*1PR+DRAIN WIRE+AL/MYLAR)*5 +28AWG*4C+AL/MYLAR+BRAID OD: 7.3 PVC JACKET BLACK IMPEDANCE:100 Ohm
NO.	PART_NAME	SPEC_DESCRIPTION

	TOLERANCE UNSPECIFIED	BossConn	SCALE	UNIT
	±		NON	mm
	DRAWN: Andy 10/04/02	NAME Displayport Cable (Male to Male)	SHEET	
	DESIGNER:		1/1	
	CHECKED:		DRAWING NO. BSC-DP-MM-01	REV
APPROVED:			.A	