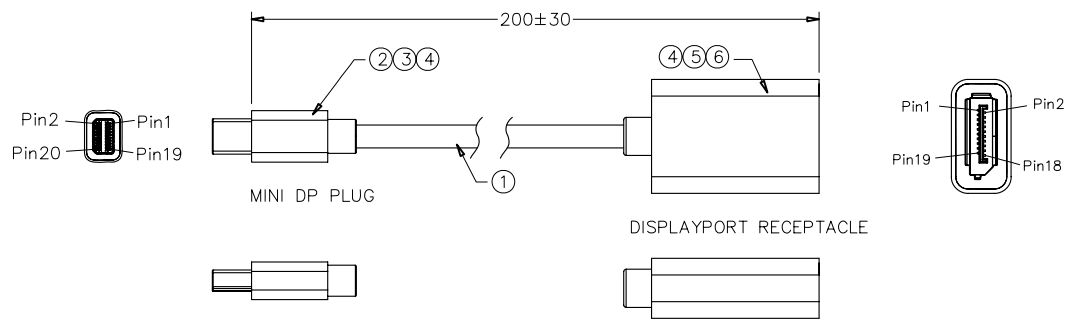


RoHS Compliant

REV	ZONE	LTR	DESCRIPTION	DATE	REVISER	APPD
-----	------	-----	-------------	------	---------	------

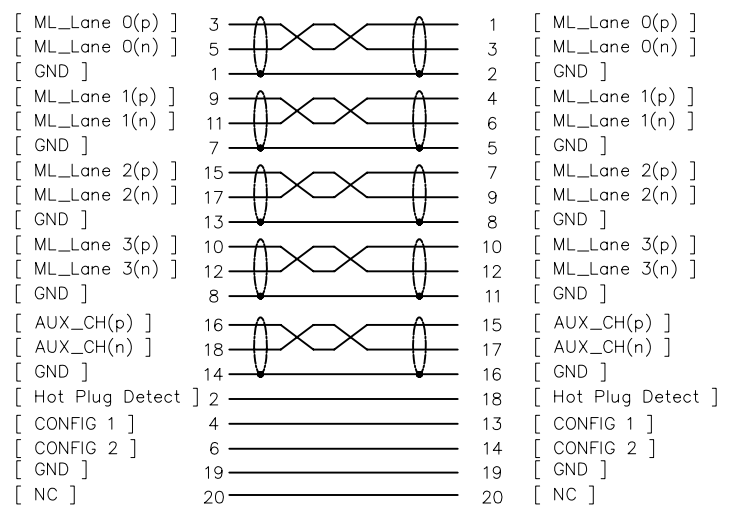


Preliminary

PIN ASSIGNMENT:

MINI DP PLUG

DISPLAYPORT RECEPTACLE



SHELL ————— SHELL

Electrical character:
 a. 100% open & short testing.
 b. Withstanding voltage: DC 300V 0.01Sec.
 c. Insulation resistance: 2M Ohm(Min).
 d. Conductive resistance: 2 Ohm(Max).

6	OUTER COVER	DISPLAYPORT RECEPTACLE CONNECTOR ABS OUTER COVER	
5	CONNECTOR 2	DISPLAYPORT RECEPTACLE	
4	SR	PVC	
3	OUTER COVER	MINI DP CONNECTOR ABS OUTER COVER	
2	CONNECTOR 1	MINI DP CONNECTOR PLUG	
1	CABLE	UL20276 DISPLAYPORT CABLE IMPEDANCE:100 Ohm	
NO.	PART NAME	SPEC DESCRIPTION	REMAKE
INNERMOLD		TOLERANCE UNSPECIFIED ± ± 0.1 ± 0.38 ± ± ANGLE ±	BossConn Electronics SCALE NON UNIT mm NAME Mini DP plug to DisplayPort Receptacle cable SHEET 1/1
OVERMOLD		DRAWN: MIKEY DESIGNER: CHECKED: APPROVED: DImie	
		DRAWING NO. E-R20DP002	REV 0.1