

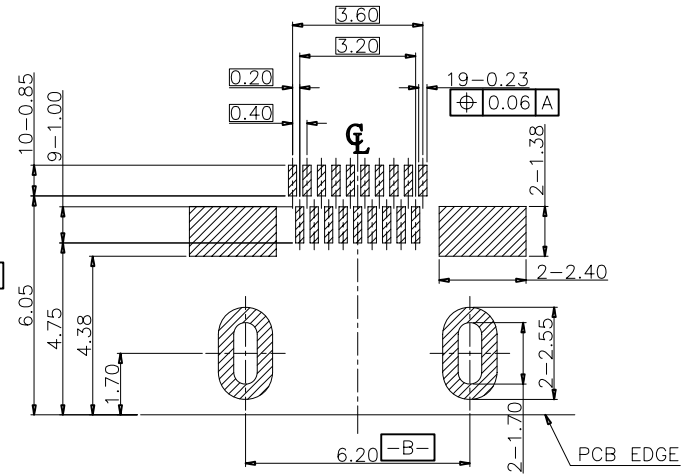
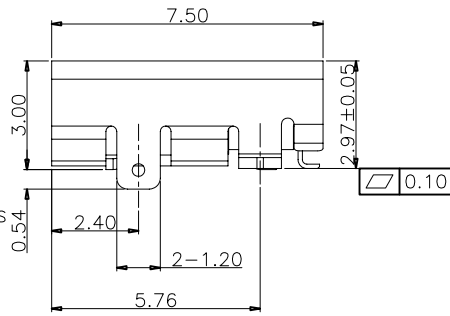
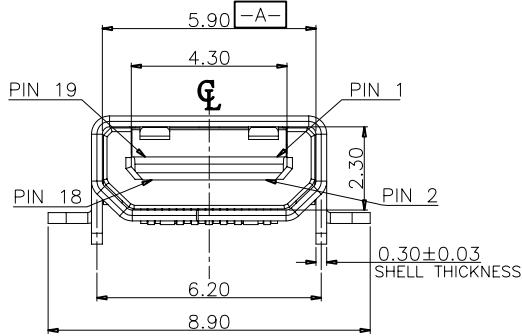
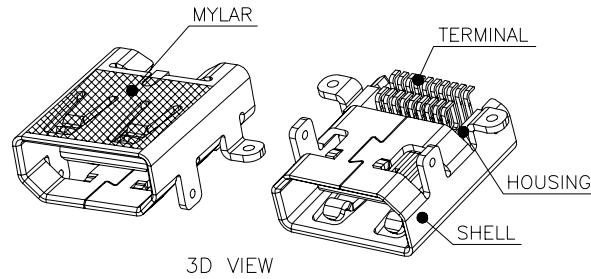
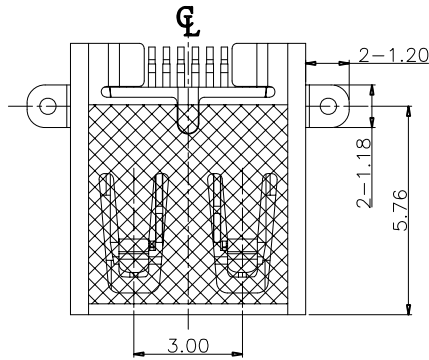
RoHS Compliant

5	6	7	8
ECN NO	REV	DESCRIPTION	DATE
			REVISOR
			APPD

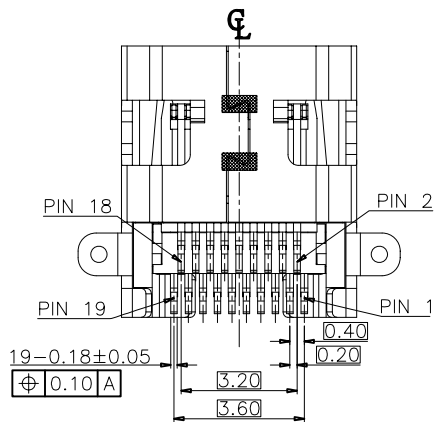
NOTES:

- MATERIAL:
 - HOUSING: HIGH TEMPERATURE THERMOPLASTIC
UL 94V-0 RATED, BLACK
 - TERMINAL: COPPER ALLOY
 - SHELL: COPPER ALLOY
- PLATING:
 - CONTACT: GOLD PLATED OVER NICKEL
 - SHELL: NICKEL PLATED
- P/N:

SHELL MATERIAL & PLATING CODE:	2X102-X01	PACKAGING CODE
MATERIAL: COPPER ALLOY		
NICKEL PLATING WITHOUT FLANGE		TERMINAL PLATING CODE:
		A: CONTACT AREA: GOLD FLASH
		SOLDER AREA: MATTE TIN 100u"
		C: CONTACT AREA: 15u" GOLD
		SOLDER AREA: MATTE TIN 100u"



RECOMMENDED PCB LAYOUT THICKNESS = 0.8 mm
TOLERANCE = ± 0.05
(TOP VIEW)



INNERMOLD	GENERAL TOLERANCES (UNLESS SPECIFIED) X ± 0.38 XX ± 0.25	BossConn	SCALE	UNIT
			NON	mm
OVERMOLD	DRAWN: Andy 2009/7/10	NAME		SHEET
	DESIGNER:	HDMI D Type, Female, SMT Type		1/1
	CHECKED:	DRAWING NO.	BSC-HDD-2X102-X01	REV
APPROVED:				A