

PART NO. SEE TABLE

CUSTOMER DRAWING

REVISIONS			
LTR	DESCRIPTION	Drawing	DATE
A	新產品發行圖面	GARY	04/15/08
B	修改塑膠主體	GARY	05/16/08

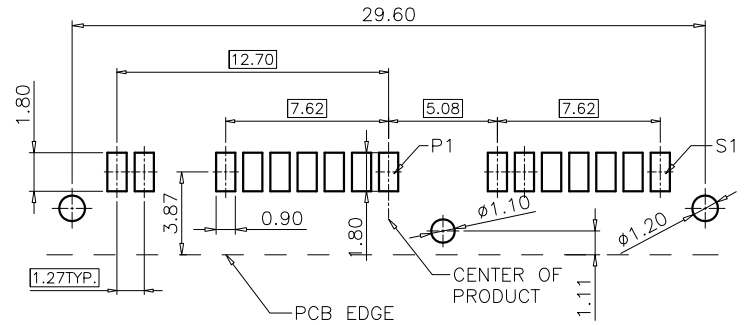
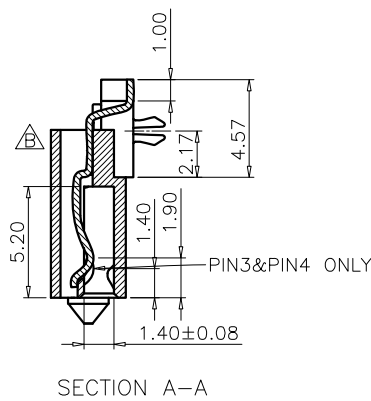
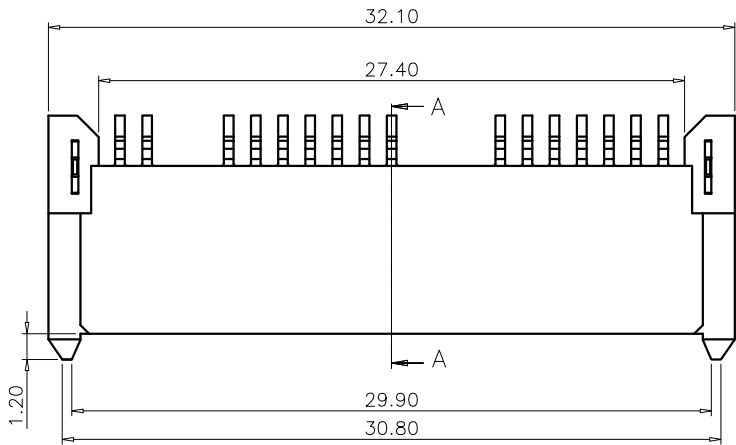
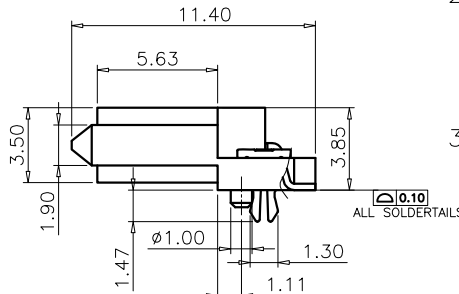
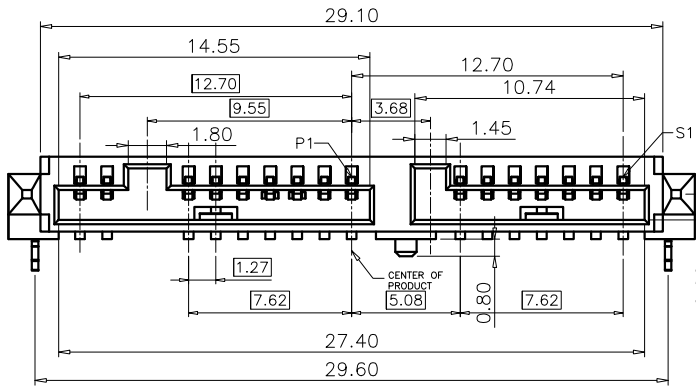


TABLE
RECOMMENDED PCB LAYOUT
PCB THICKNESS=1.00mm

PART NO.	PLATED	PLASTIC&COLOR	NOTE
007-01-00631	GOLD FLASH	LCP BLACK	GP
007-01-00632	15 U" GOLD	LCP BLACK	GP
007-01-00633	30 U" GOLD	LCP BLACK	GP



NOTE:

- MATERIAL :
BASE : HIGH TEMPERATURE THERMOPLASTIC UL94V-0,
TERMINAL: COPPER ALLOY, THICKNESS = 0.30 mm
FORK LOCK: BRASS THICKNESS = 0.30 mm
- PLATING:
CONTACT: GOLD OVER 50u" MIN NICKEL UNDERPLATE
SOLDER TAIL: 150u" MIN MISTY TIN 50u" MIN NICKEL UNDERPLATE
GOLD SPECIFICATION: SEE TABLE
- ELECTRONICAL SPECIFICATION:
CURRENT RATING: 1.5 AMPERE PER CONTACT
CONTACT RESISTANCE: 30 MILLIOHMS MAX.
INSULATION RESISTANCE: 1000 MEGOHMS MIN.
DIELECTRIC WITHSTANDING VOLTAGE: 500 VAC.
OPERATING TEMPERATURE: -40°C ~ +85°C

DIMENSION ARE MILLIMETERS TOLERANCES ARE : DECIMALS .X ± 0.20 .XX ± 0.15 ANGLE: X ± 3°	APPROVALS		DATE		BossConn			
	DRAWN	GARY	05/16/08		TITLE: USATA 16PIN Female SMT			
	CHECKED				SIZE	SCALE : 1 : 1	DRAWING NO. MIC-SAT-004	REV. B
APPROVALS				THE DRAFT AND DESIGN DIS-CLOSED WAS ORIGINATED BY AND IS THE PROPERTY OF BossConn Electronics. BossConn Electronics RESERVES ALL PROPRIETARY, DESIGN, MANUFACTURING, REPRODUCTION, USE AND SALES RIGHTS.		ID NO.	XXXXXXXXXX	SHEET 1 OF 1

NO	DESCRIPTION	QTY	UNIT	DO NOT SCALE DRAWING
1				
2				