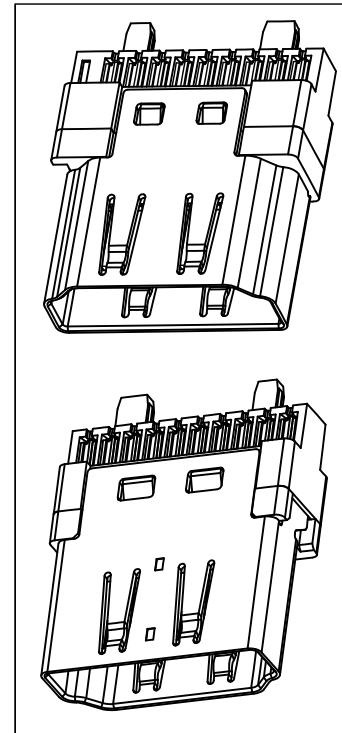
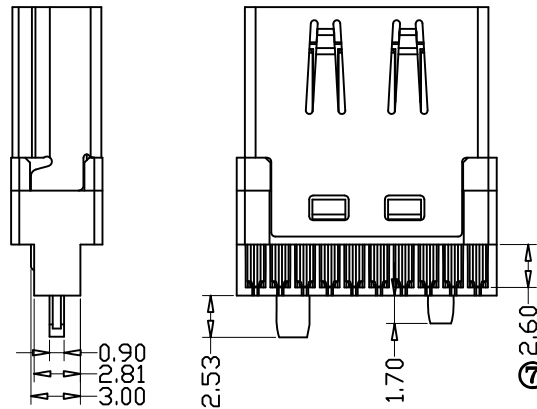
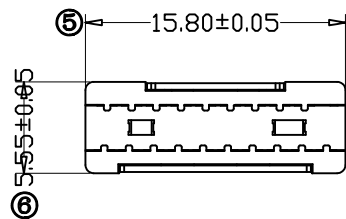
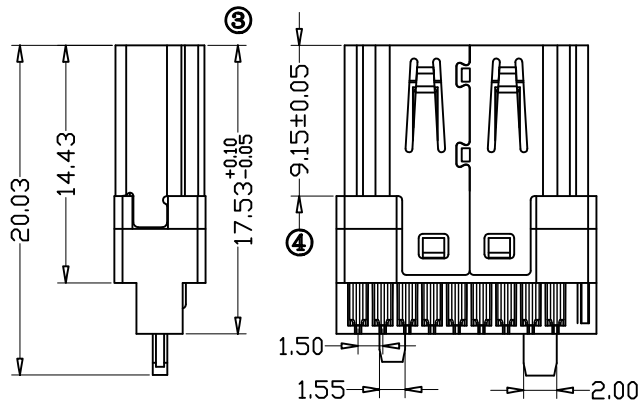
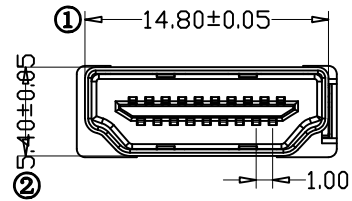


REVISIONS

REV.	DESCRIPTION	DATE	REVISED BY



SPECIFICATIONS

1. ELECTRICAL CHARACTERISTICS:
 - 1-1. CONTACT CURRENT RATING: 3 AMPERES.
 - 1-2. DIELECTRIC WITHSTANDING VOLTAGE: 500 VAC(MIN) AT SE LEVEL.
 - 1-3. INSULATION RESISTANCE: 100 MEGOHMS (MIN)
2. MECHANICAL CHARACTERISTICS:
 - 2-1. CONTACT ENGAGEMENT FORCE: 12 OZ. (MAX)
 - 2-2. CONTACT SEPARATION: 0.75 OZ. (MIN) °C
 - 2-3. CONTACT RETENTION: 4.41 LB. (MIN)
- 2-5. OPERATING TEMPERATURE: -55 C TO +105

BossConn

深圳博士联电子有限公司

GENERAL TOLERANCE		Description	HDMI A Female Connector, P/N: HDA-F-CN02		Third Angle Projection	
I ±0.20	I' ±2°	Customer Name				
II ±0.15	II' ±1°	Customer No.				
III ±0.13	III' ±0.5°	Produce No.	HDA-F-CN02	Approved By	Younger Tian	Units
		Date	2010.07.27	Scale	1:1	<input type="checkbox"/> MM <input type="checkbox"/> Inch
						REV
						A/O