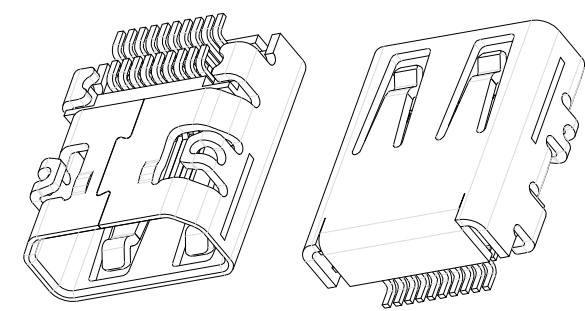
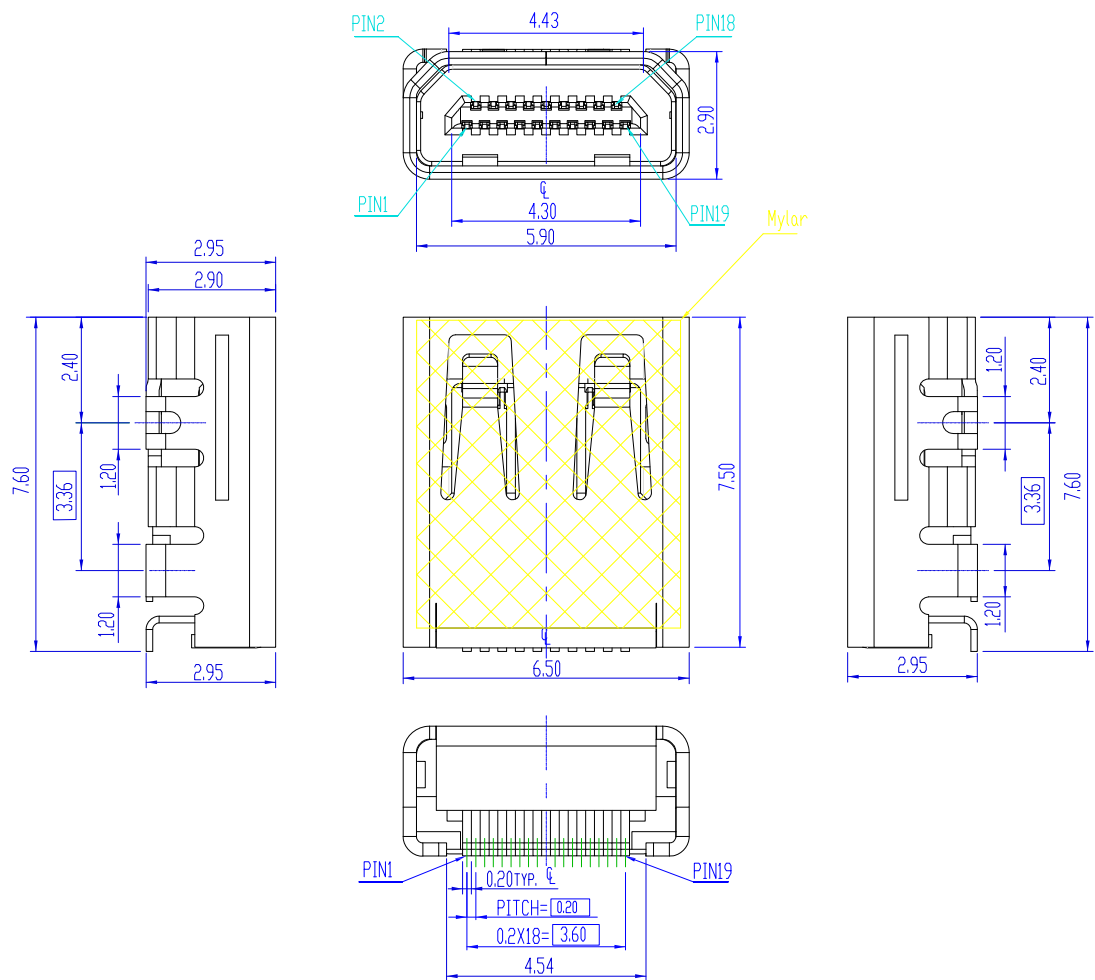


RoHS

REV.	MODIFICATION	APP.	DATE
A	NEW	WLX	2010.09.07



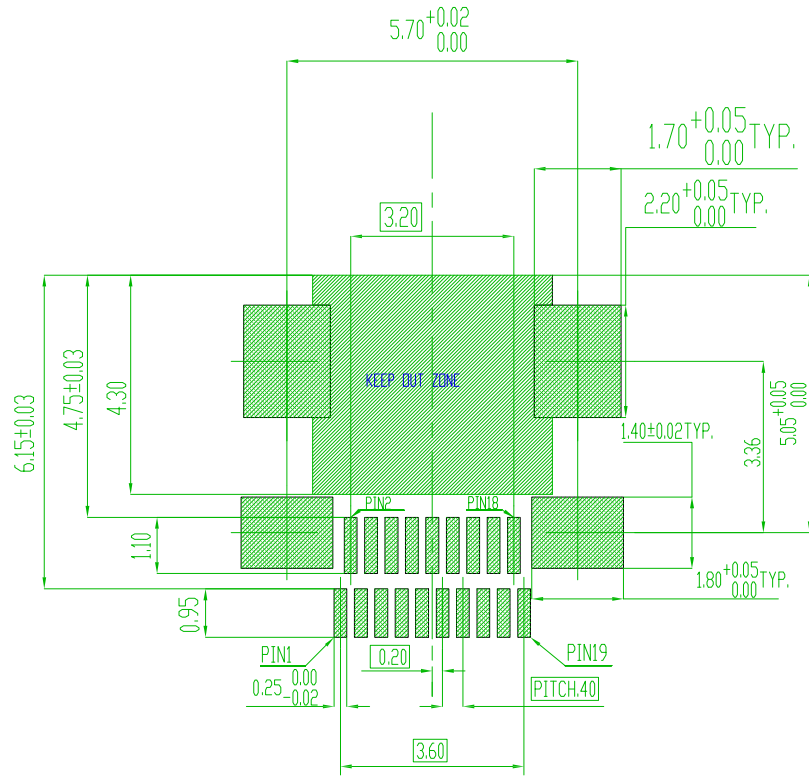
- NOTE:
- CONTACT CURRENT RATING: 0.3 AMPERES.
 - VOLTAGE: 40 VAC MAXIMUM.
 - DIELECTRIC WITHSTANDING VOLTAGE:
UNMATED CONNECTORS, APPLY: 250V AC(RMS.)
MATED CONNECTOR, APPLY: 150V AC(RMS.)
 - CONTACT RESESTANCE: 10 MILLIOHMS MAXIMUM.
 - INSULATION RESISTANCE: 100 MEGOHMS MINIMUM.
 - OPERATING TEMPERATURE: -25°C~80°C.
 - INSERTION FORCE: 44.1N MAXIMUM.
 - WITHDRAWAL FORCE: 5~25N.
AFTER 5,000 CYCLES MATING 3~25N.

ITEM	TITLE	MATERIAL	DESCRIPTION	REMARK
1	TERMINAL	COPPER ALLOY C5210	CONTACT AREA:AU(SEE P/N); SOLDER AREA:AU 1U" MIN.	T=0.12
2	INSULATOR	LCP	UL94V-0	WHITE
5	SHELL	COPPER ALLOY C2680	PLATING: Ni	T=0.30
6	MYLAR		TRANSLUCENCY	1PC

		BossConn		Title: HDMI D TYPE FEMALE SMT 壳脚全贴	
				App. WULIXIAN Chk. QIHUIJUAN Dr. LIYONG Date. 2010.09.07	Units <input checked="" type="checkbox"/> mm <input type="checkbox"/> inch Size A4 Scale 1:1
Tolerances Linear .x ±0.35 .xx ±0.25 .xxx ±0.15 Angles x.' ±5' .x' ±2' .xx' ±1' Projection 		Revision: A			

RoHS

REV.	MODIFICATION	APP.	DATE
A	NEW	WLX	2010.09.07



Recommend PCB Layout Tolerance = +/- 0.02mm



PIN	SIGNAL ASSIGNMENT
1	HOT PLUG DETECT
3	TMDS DATA2+
5	TMDS DATA2-
7	TMDS DATA1 SHIELD
9	TMDS DATA0+
11	TMDS DATA0-
13	TMDS CLOCK SHIELD
15	CEC
17	SCL
19	+5V Power

PIN	SIGNAL ASSIGNMENT
2	UTILITY
4	TMDS DATA2 SHIELD
6	TMDS DATA1+
8	TMDS DATA1-
10	TMDS DATA0 SHIELD
12	TMDS CLOCK+
14	TMDS CLOCK-
16	DDC/CEC GROUND
18	SDA

CONNECTION	SIGNALS
	TYPE D CONNECTOR
FIRST MAKE	CONNECTOR SHELL
SECOND MAKE	PINS 1-18
THIRD MAKE	PIN19(+5V POWER)

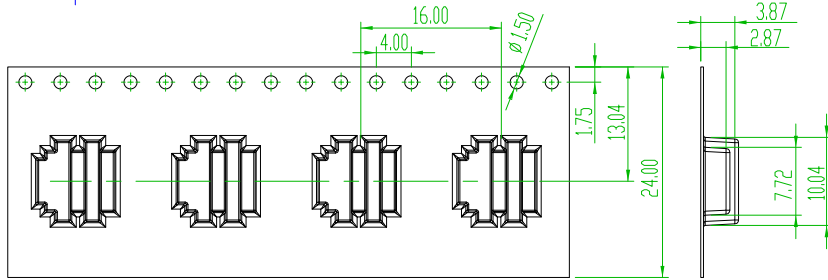
ITEM	TITLE	MATERIAL	DESCRIPTION	REMARK
1	TERMINAL	COPPER ALLOY C5210	CONTACT AREA:AU(SEE P/N); SOLDER AREA:AU 1U" MIN.	T=0.12
2	INSULATOR	LCP	UL94V-0	WHITE
5	SHELL	COPPER ALLOY C2680	PLATING: Ni	T=0.30
6	MYLAR		TRANSLUCENCY	1PC

		HDMI D TYPE FEMALE SMT 壳脚全贴	
Tolerances <i>Linear</i> .x ±0.35 .xx ±0.25 .xxx ±0.15 <i>Angles</i> x.' ±5' .x.' ±2' .xx.' ±1'		App. WULIXIAN Chk. QIHUIJUAN Dr. LIYONG	Part no: HDD-F-CN02 Dwg no.
Projection 		Revision. A Date. 2010.09.07	Scale 1:1 Sheet 2/3

RoHS

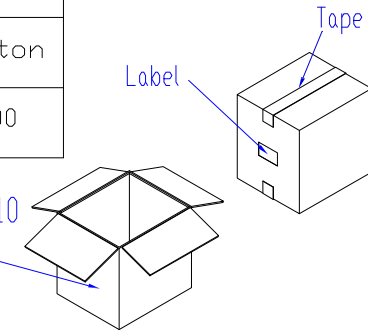
REV.	MODIFICATION	APP.	DATE
A	NEW	WLX	2010.09.07

1. Tape Packed Status

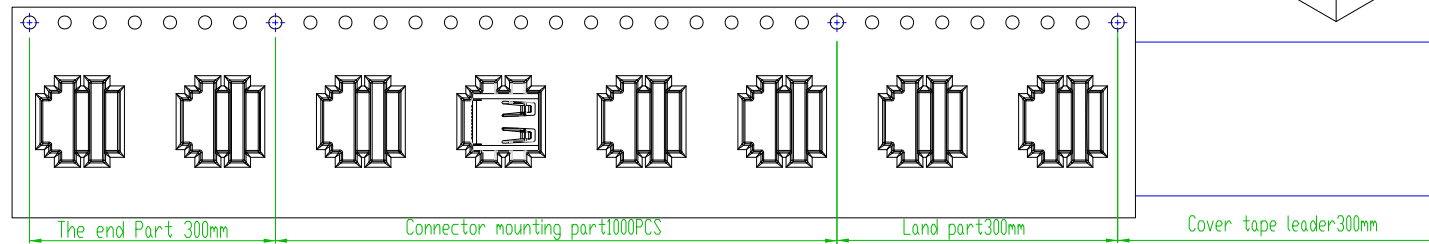


3. Carton Containing 10 Reel (See Chart A)

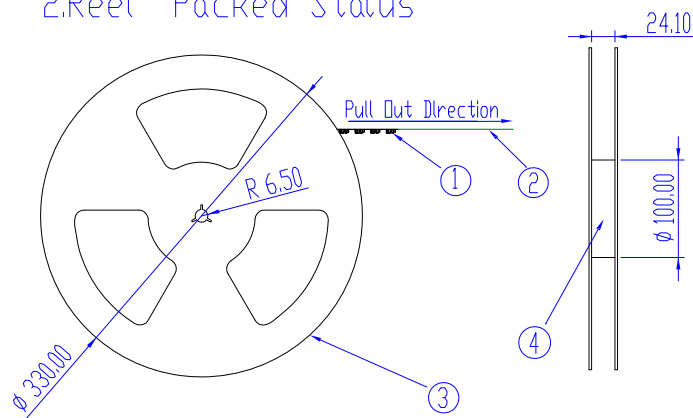
	Packing Quality	
	Reel	Carton
A	1000	10000



4. Carton Size: 350X350X310
Carton



2. Reel Packed Status



Item	Name	Material	Color
1	Carrier Tape	PS	Black
2	Cover	PE	Translucent
3	Reel Plate	PS	Blue
4	Reel Core	PS	Blue

		Title: HDMI D TYPE FEMALE SMT 壳脚全贴									
		Units <input checked="" type="checkbox"/> mm <input type="checkbox"/> inch	Part no: HDD-F-CN02								
Tolerances <table border="1"> <tr> <th>Linear</th> <th>Angles</th> </tr> <tr> <td>.x ±0.35</td> <td>.x.* ±5°</td> </tr> <tr> <td>.xx ±0.25</td> <td>.x.* ±2°</td> </tr> <tr> <td>.xxx ±0.15</td> <td>.xx.* ±1°</td> </tr> </table>	Linear	Angles	.x ±0.35	.x.* ±5°	.xx ±0.25	.x.* ±2°	.xxx ±0.15	.xx.* ±1°	App. WULIXIAN Chk. QIHUIJUAN Dr. LIYONG Date. 2010.09.07	Size A4 Scale 1:1 Sheet 3/3	Dwg no.
Linear	Angles										
.x ±0.35	.x.* ±5°										
.xx ±0.25	.x.* ±2°										
.xxx ±0.15	.xx.* ±1°										