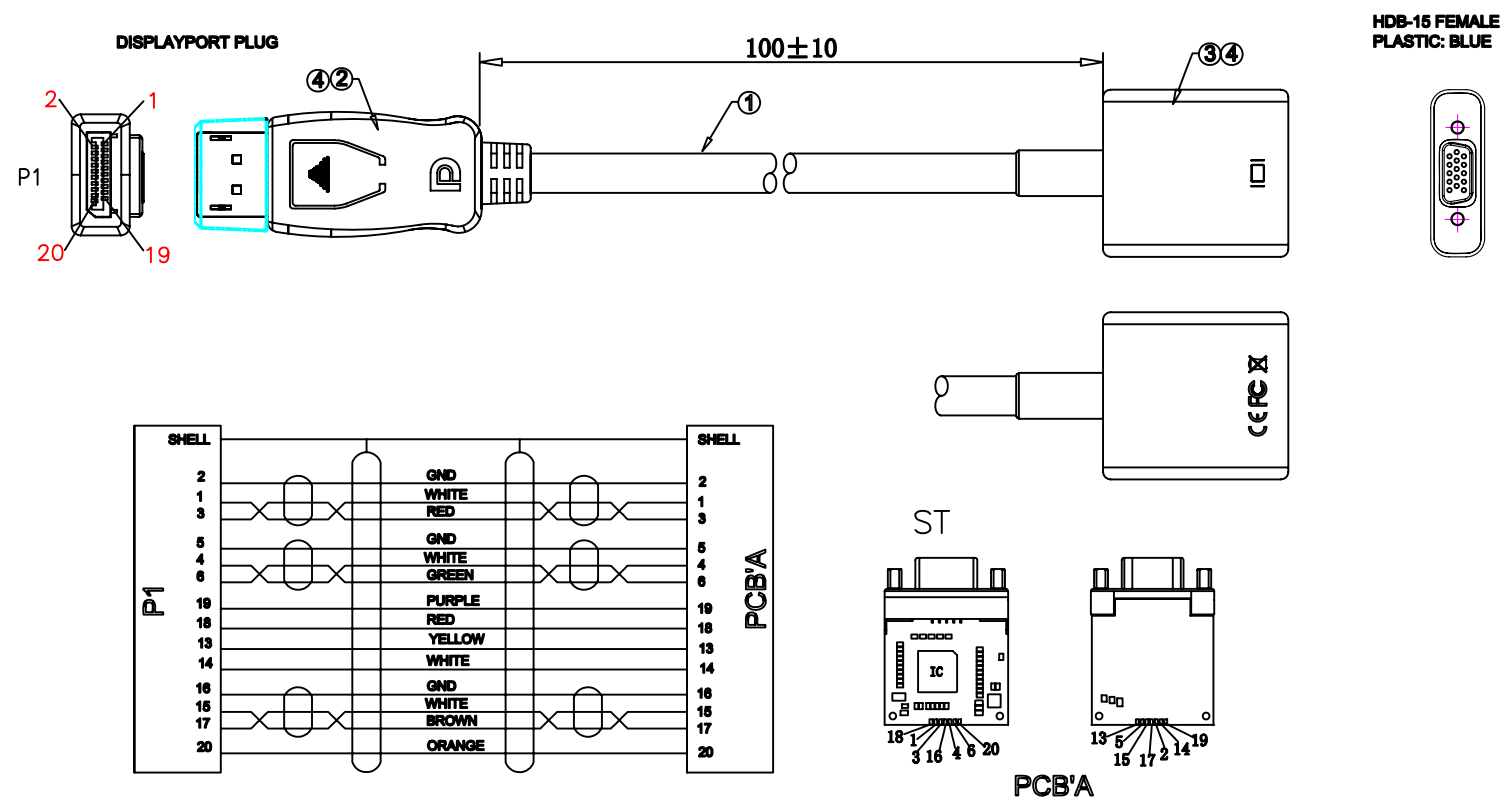


RoHS Compliant

5	6	7	8
ECN NO	REV	DESCRIPTION	DATE
			REVISER
			APPD



4	SHELL	P1 & P2 SHELL	A/R
3	PCB'A	VGA PCB'A ST	1
2	CONN.	DISPLAYPORT CONNECTOR,FEMALE RECEPTACLE ASSEMBLY TYPE SUPPORT LATCH MECHANIC	1
1	CABLE	UL20276 32AWG*5C (EAM+D)+32AWG*5C A+B Displayport Cable	A/R
ITEM	NAME	DESCRIPTION	QTY

INNERMOLD	TOLERANCE UNspecified ± ± 0.1 ± 0.38 ± ±	ANGLE	DRAWN: Andy 10/01/02	DESIGNER:	CHECKED:	APPROVED:	BossConn	SCALE	UNIT
								NON	mm
OVERMOLD							NAME	SHEET	
							Displayport to VGA Cable	1/1	
							DRAWING NO.	REV	
							BSC-DP-VGA-01	A	