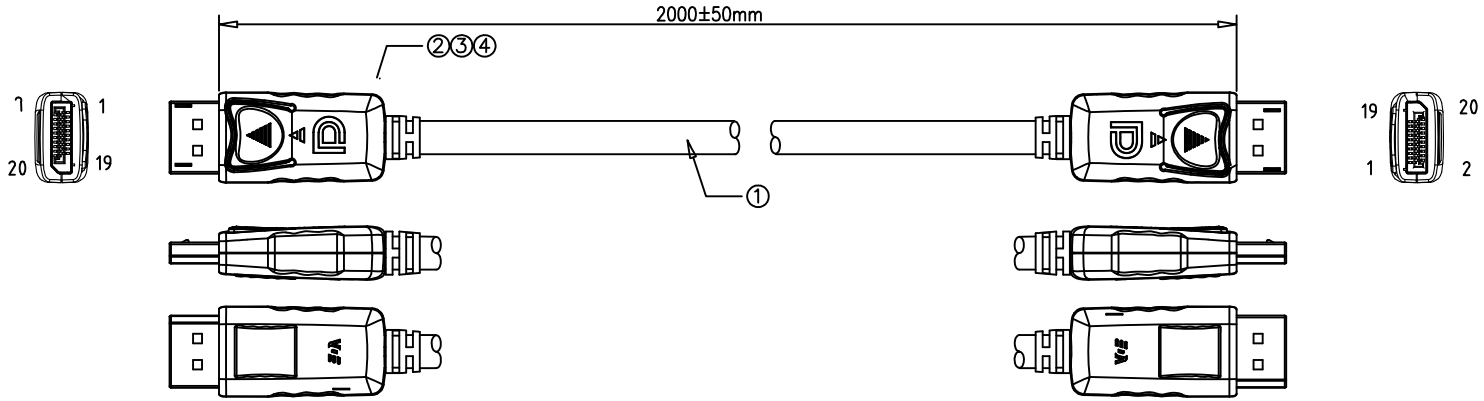
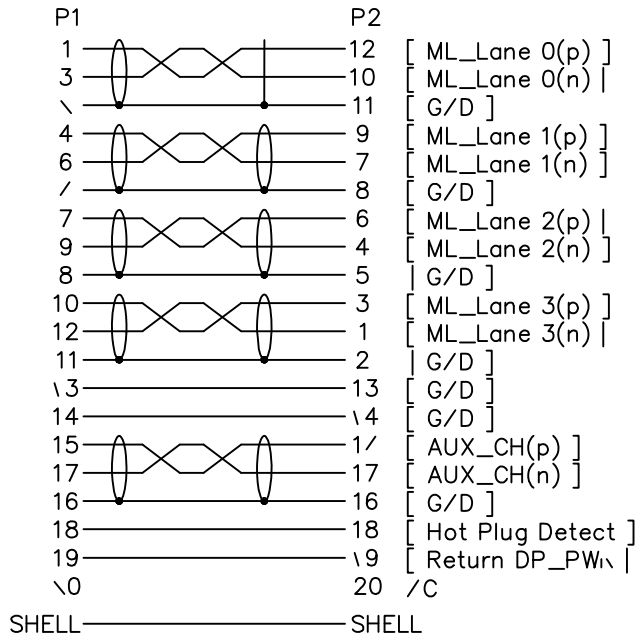


RoHS Compliant

ECN NO	REV	DESCRIPTION	DATE	REVISER	APPD
--------	-----	-------------	------	---------	------



PIN ASSIGNMENT:



Electrical character:

- a. 100% open & short testing.
- b. Withstanding voltage: DC 300V 0.01Sec.
- c. Insulation resistance: 10M Ohm(Min).
- d. Conductive resistance: 2 Ohm(Max).



1	SHIELD	COPPER FOIL 18u"
3	I/NERMOLD	PE LOW DE/SITY
2	CO/NECTOR	DISPLAYPORT PLUG CO/TACT:PLATE GOLD SHELL:PLATE NI W/LATCH W/COVER BLACK
1	CABLE	UL20276 (28AWG*1PR+DRAI/ WIRE+AL/MYLAR)*5 +28AWG*4C+AL/MYLAR+BRAID OD:7.3 PVC JACKET BLACK IMPEDA/CE:100 hm
/0.	PART_/AME	SPEC_DESCRIPTION

INNERMOLD	TOLERANCE UNSPECIFIED		SCALE	UNIT
	±		NON	mm
OVERMOLD	DRAWN: Andy 10/04/08	NAME	SHEET	
	DESIGNER:		Displayport Cable (Male to Male)	
	CHECKED:		1/1	
APPROVED:	DRAWING NO.	BSC-DP-MM-01	REV	A