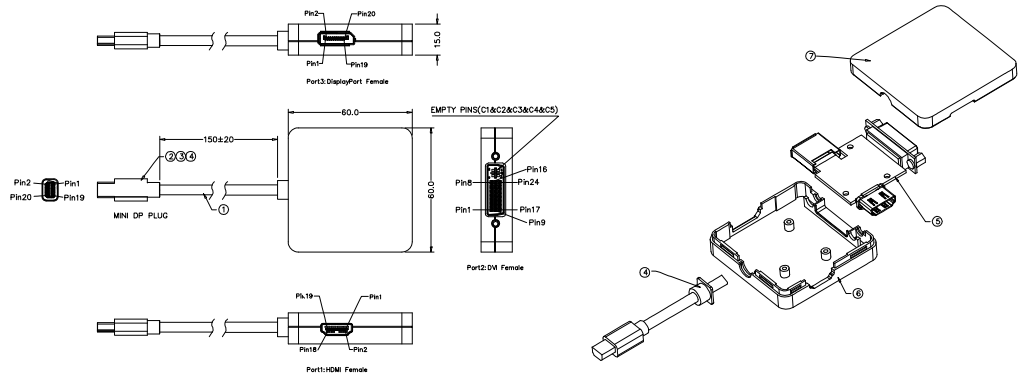


**RoHS Compliant**

ECN NO	REV	DESCRIPTION	DATE	REVISER	APPD
--------	-----	-------------	------	---------	------



**ORDERING INFORMATION:**

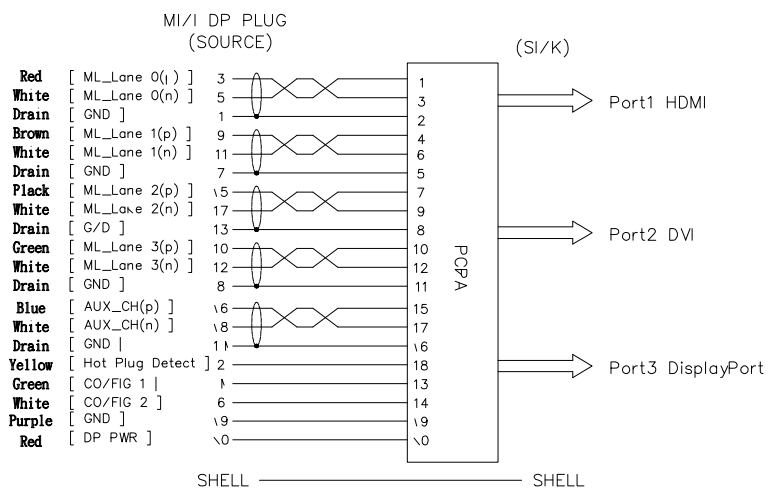
- 18- MDPMultiCA01 -\_01
- (1) (2) (3)
- (1) SERIES /UMBER: 18 : CABLE SERIES
- (2) SEQUE/CE NO.
- :Mini D: to DP+HDMI+DVI A laptop
- (3) PACKI/G CODE : EMPTY: WITHOUT PACKING; 01: PE BAG PACKI/G

**Features:**

- Converts low-swing AC coupled differential input to HDMI rev 1.3 compliant open-drain current steering Rx terminated differential output.
- Compliant to VESA Interop Guidelines.
- HDMI level shifting operation up to 2.5Gbps per lane(250MHz pixel clock).
- Integrated 50-ohm termination resistors for AC-coupled differential inputs.
- Enable/Disable feature to turn off TMDS outputs to enter low power state.
- 1kV buffer for ATC DDC Cap test support.
- Transparent operation:no re-timing or configuration required.
- Level shifter for HPD single from HDMI connector.
- Integrated pull-down on HPD\_sink input guarantees "input low" when no display is plugged in.
- Supports 1080p 60Hz at distance up to 3meters (length for use).

*Preliminary*

**PI/ ASSIGNMENT:**



**Electrical character:**

a. Function Test: by PC and monitor 10' OP 60Hz test pass.

**Note:**

a. User can only use one output port at one time.

7	UP COVER	ABS UP COVER,WHITE COLOR	
6	BOTTOM COVER	ABS BOTTOM COVER,WHITE COLOR	
5	PCBA	HDMI A Female Shell Nickel Plated W/PCuA	
4	SR	PVC WHITE	
3	OUTER COVER	MINI DP CON/ECTOR ABS OUTER COVER	
2	CON/ECTOR 1	MINI DP CO//ECTOR PLUG Shell /ickel Plated	
1	CABLE	UL20276 DISPLAYPORT CABLE IMPEDANCE:100 Ohm 32AWG	
/0.	PART /AME	SPEC DESCRIPTIO/	REMAKE

TOLERANCE UNSPECIFIED				
±0.1	±0.38		SCALE	UNIT
DRAWN: Andy 10/04/02		NAME		SHEET
DESIGNER:		Mini Displayport to DP+HDMI+DVI Female Adapter		
CHECKED:		DRAWING NO. MDP-Multi-CA01		REV A
APPROVED:				