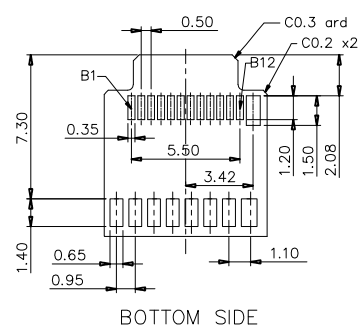
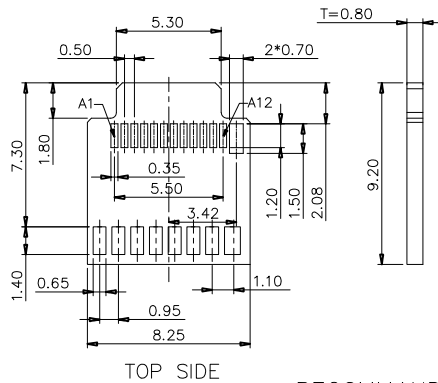
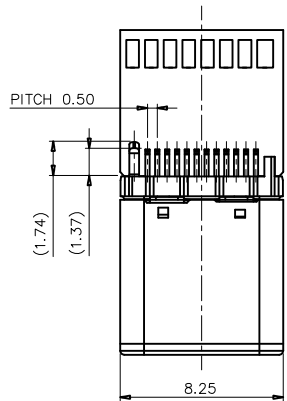
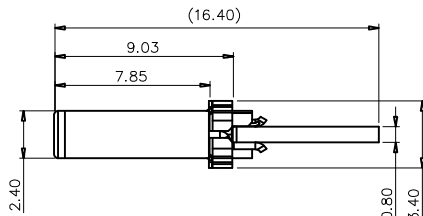
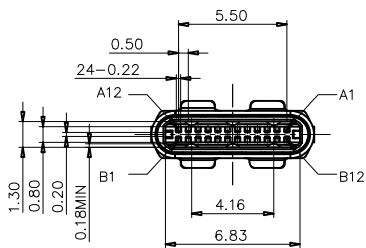


RoHS Compliant



RECOMMEND PCBA TOLERANCE: ±0.05MM

Pin	Signal Name	Mating Sequence	Pin	Signal Name	Mating Sequence
A1	GND	First	B12	GND	First
A2	TX1p	Second	B11	KX1p	Second
A3	TX1n	Second	B10	RX1n	Second
A4	Vbus	First	B9	Vbus	First
A5	CC1	Second	B8	SBU2	Second
A6	I p	Second	B7		
A7	Dn	Second	B6		
A8	SBU1	Second	B5	CC2	Second
A9	Vbus	First	B4	Vbus	First
A10	KX2n	Second	B3	TX2n	Second
A11	KX2p	Second	B2	TX2p	Second
A12	GND	First	B1	GND	First
SHELL	GND		SHELL	GND	

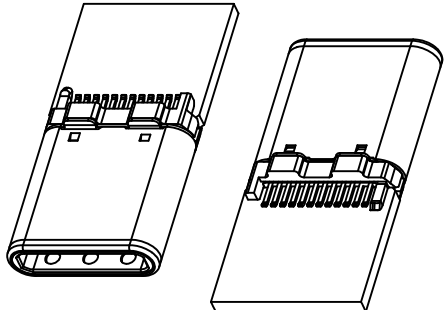
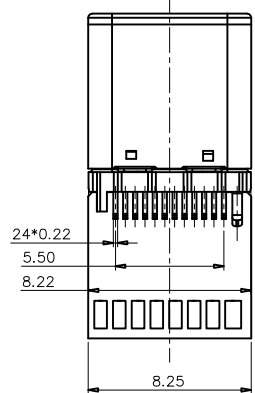


NOTE:
 1.MATERIAL:
 1.1 INSULATOR: HIGH TEMPERATURE PLASTIC UL 94 V-0;
 1.2 CONTACT: COPPER ALLOY(T=0.15mm)
 1.3 SHELL: STEEL(T=0.20mm)
 2.ELECTRICAL CHARACTERISTICS:
 2.1 CONTACT RESISTANCE: 40mΩ Max FOR INITIAL. 10mΩ CHANGE AFTER TEST. MEASURE AT 20mV, 100mA.
 2.2 CONTACT CURRENT RATING: 5A FOR Vbus PIN; 1.25A FOR Vconn PIN.
 2.3 DIELECTRIC WITHSTANDING VOLTAGE: 100V AC R.M.S.
 2.4 INSULATION RESISTANCE 100MΩ Min
 2.5 OPERATING TEMPERATURE: -40°C ~ 85°C
 3 MECHANICAL CHARACTERISTICS:
 3.1 MATING FORCE: 5~20 N.
 3.2 UNMATED FORCE: 8~20N AFTER TEST
 3.3 DURABILITY: 10,000 CYCLES
 4.PLATING
 4.1 TERMINAL CONTACT: (SEE TAB) GOLD PLATING ALL OVER 50u" Min NICKEL AND 80u"Min Matte Tin ALL OVER 50u" Min NICKEL ON SOLDER AREA
 4.2 SHELL: 80u" Min. NICKEL ALL OVER,

PART NO

1 5 H 7 - X 1 1
 2 3 4 5 6 7

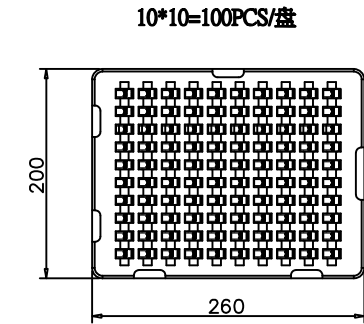
- ① USB SERIAL
- ② MALE & FEMALE
- ③ HOUSING COLOR: 5:BLACK
- ④ FLOW NO.: H7
- ⑤ 端子电镀
- 1:GOLD FLASH 2:3u" GOLD
- 3:5u" GOLD 4:10u" GOLD
- 5:15u" GOLD 6:30u" GOLD
- ⑥ 1:RoHS Compliant
- ⑦ 包装方式
- 1:TRAY PACKAGE



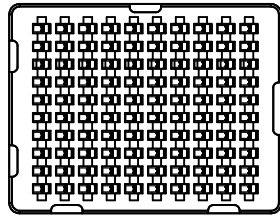
▼ = Places	TOLERANCES UNLESS		DESIGN: DATE: Andy 2015.01.28	USB 3.1 C TYPE PLUG SOLDER TYPE FOR USB3.1 PCB
	X ± 0.50	X° ± 3'		
DIM NO. ⑥	.X ± 0.30	.X° ± 2'	CHECKED: DATE:	PART NO: USB3.1-CM-CN03
SCALE: FIT	.XX ± 0.20	.XX° ± 1'	APPROVED: DATE:	SIZE: A4
SHEET: 1 OF 4	.XXX ± 0.10	.XXX° ± 0.5'		REV: A
UNIT: mm				

ECN. NO	REV	DATE	DESCRIPTION	CHANGED	APPROVED
	A	15.01.28	NEW RELEASE		

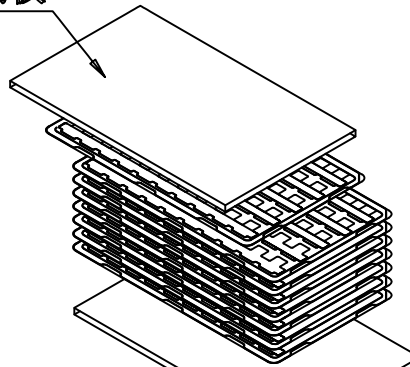
RoHS Compliant



第二层在第一层的基础上堆叠放置
第三,四层.....以此类推



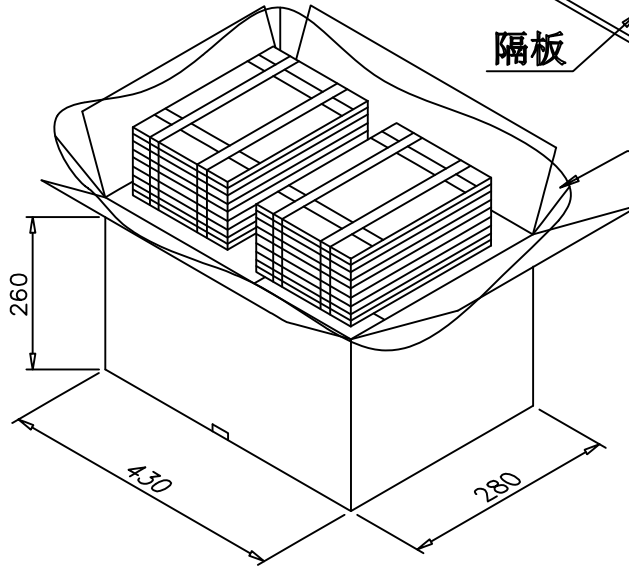
隔板



20盘/扎, 每扎装产品2000PCS, 装好产品后在产品的顶层(即第20层)盖上一个空的吸塑盘, 每扎底层与顶层各放一个纸隔板

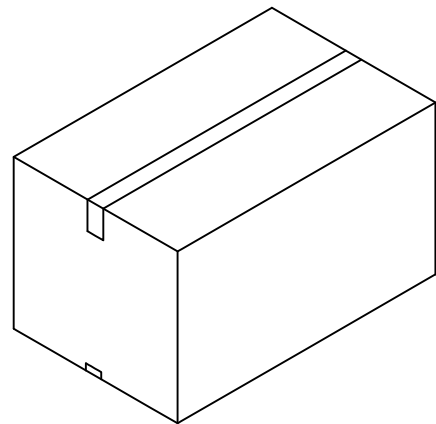
隔板

PE袋



PE膜

将吸塑盘叠好之后用PE膜对其进行缠绕,



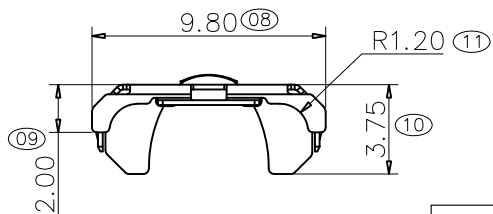
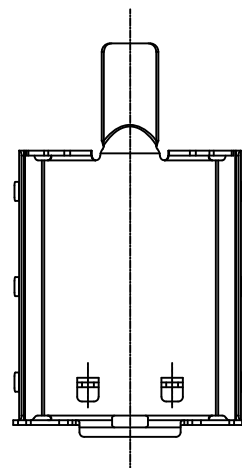
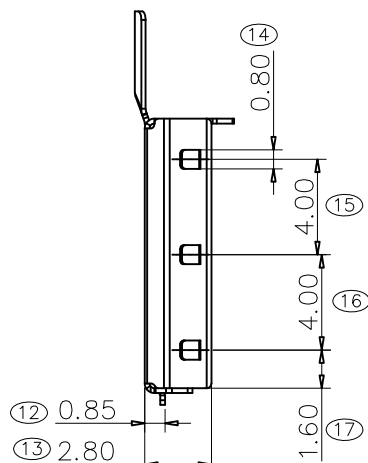
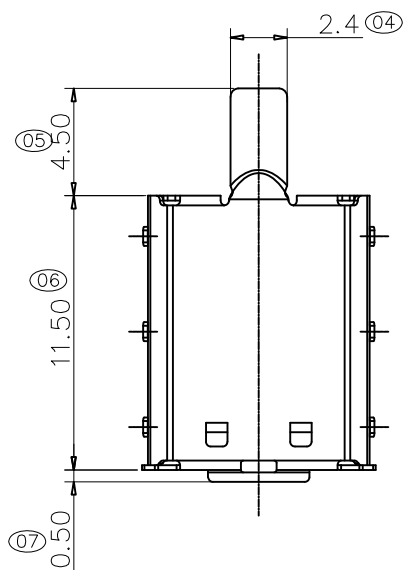
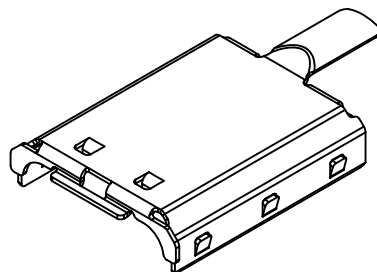
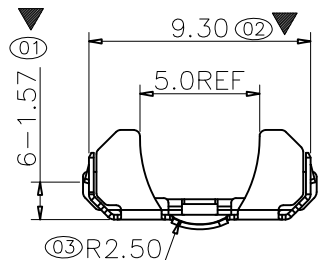
放好产品后将PE袋折叠好, 并用封箱胶将纸箱进行封箱, 在纸箱外面贴上标签。

取430*280*260mm纸箱并折叠好, 在纸箱内放入1PCS 800*800mm PE袋;
将包装好的产品放入430*280*260mm内纸箱中, 每箱装2扎, 共装产品4000PCS。

▼ = Places	TOLERANCES UNLESS			BossConn					
DIM NO. Ⓢ	X ± 0.50	X° ± 3°							
SCALE: FIT	.X ± 0.30	.X° ± 2°	DESIGN: Andy	DATE: 2015.01.28					
SHEET: 2 OF 4	.XX ± 0.20	.XX° ± 1°	CHECKED:	DATE:					
	.XXX ± 0.10	.XXX° ± 0.5°	APPROVED:	DATE:					
ECN. NO	REV	DATE	DESCRIPTION	CHANGED	APPROVED	UNIT: mm		USB 3.1 C TYPE PLUG SOLDER TYPE FOR USB3.1 PCB PART NO: USB3.1-CM-CN03 DWG NO:	SIZE: A4 REV: A

—	A	15.01.28	NEW RELEASE		
ECN. NO	REV	DATE	DESCRIPTION	CHANGED	APPROVED

RoHS Compliant



NOTE:

1. MATERIAL:

- 1.1: STAINLESS STEEL (SUS201H T=0.20mm)
- 1.2: BURR: 0.05mm Max

2. PLATING

- 2.1: 50u" Min NICKEL PLATING ON ALL OUTSIDE SURFACE

3. OTHERS

- 3.1: UNLESS OTHERWISE SPECIFIED CUTTING CORNER TO BE R 0.5mm Max.
- 3.2: PART MUST COMPLY RoHS SPECIFICATION

4. "▼" FOR MAJOR DIM

5. "⊗" FOR FAI DIM.

PART NO

0 9 0 6 - X 1 1

2 3 4 5 6 7

1 USB SERIAL

2 MALE & FEMALE

0: FEMALE

3 HOUSING COLOR:

9: BLUE 5: BLACK

4 FLOW NO.: 06

5 端子电镀

1: 30LD FLASH 2: 3u" 30LD

3: 5u" 30LD 4: 10u" 30LD

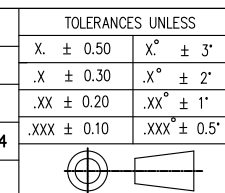
5: 15u" 30LD 6: 30u" 30LD

6 HOUSING MATERIAL 1: PBT 2: PA9T 3: LCP

7 包装方式

1: TRAY PACKING

▼ = Pieces	TOLERANCES UNLESS	
DIM NO. ⊗	X. ± 0.50	X.° ± 3'
SCALE: FIT	.X ± 0.30	.X.° ± 2'
SHEET: 3 OF 4	.XX ± 0.20	.XX.° ± 1'
UNIT: mm	.XXX ± 0.10	.XXX.° ± 0.5'



		DESIGN: Andy	DATE: 2015.04.13	JSB3.1 C TYPE PLUG SOLDER BOTTOM SHELL
		CHECKED:	DATE:	
APPROVED:	DATE:	DWG NO:		SIZE: A4
				REV: A

ECN. NO	REV	DATE	DESCRIPTION	CHANGED	APPROVED	UNIT: mm
	A	15.04.10	新訂圖面			

4

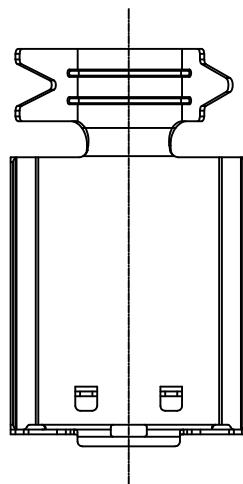
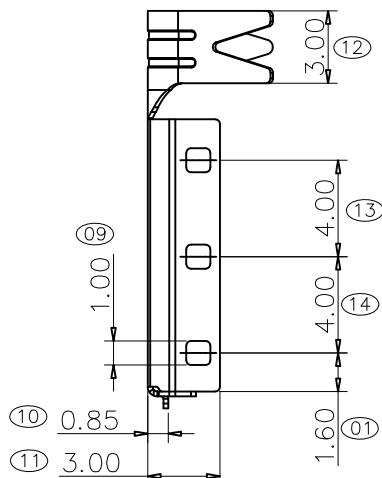
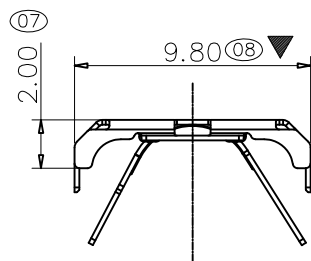
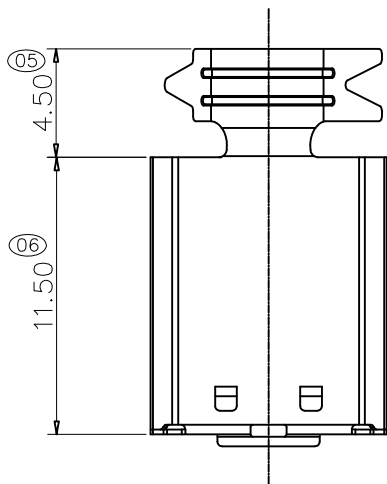
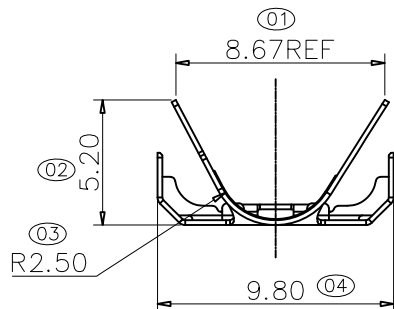
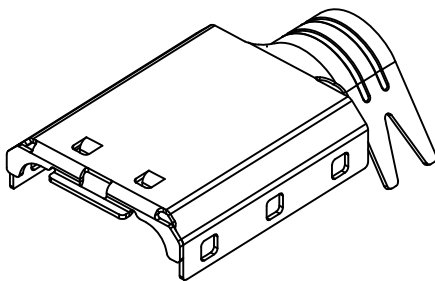
5

6

7

8

RoHS Compliant



NOTE:

1. MATERIAL:

- 1.1: STAINLESS STEEL (SUS201H T=0.20mm)
- 1.2: BURR: 0.05mm Max

2. PLATING

- 2.1: 50u" Min NICKEL PLATING ON ALL OUTSIDE SURFACE

3. OTHERS

- 3.1: UNLESS OTHERWISE SPECIFIED CUTTING CORNER TO BE R 0.5mm Max.
- 3.2: PART MUST COMPLY RoHS SPECIFICATION
- 4. "▼" FOR MAJOR DIM
- 5. "⊗" FOR FAI DIM.

PART NO

0 9 0 6 - X 1 1
 2 3 4 5 6 7

- ① USB SERIAL
- ② MALE & FEMALE
0: FEMALE
- ③ HOUSIN, COLOR:
9: BLUE 5: BLACK
- ④ FLOW NO. : 06
- ⑤ 端子电镀
1: 30LD FLASH 2: 3u" GOLD
3: 5u" GOLD 4: 10u" GOLD
5: 15u" GOLD 6: 30u" GOLD
- ⑥ HOUSIN, MATERIAL 1: PBT 2: PA6T 3: LCP
- ⑦ 包装方式
1: TRAY PACKAGE

▼ = Places	TOLERANCES UNLESS			BossConn		
	DIM NO. ⊗	X. ± 0.50 X.° ± 3'			DESIGN: Andy DATE: 2015.04.13	USB 3.1 TYPE C PLUG, TOP SHELL PART NO: USB3.1-CM-CN03 SIZE: A4 DWG NO: REV: A
	SCALE: FIT	.X ± 0.30 .X° ± 2'			CHECKED: DATE:	
SHEET: 4 OF 4	.XX ± 0.20 .XX° ± 1'	APPROVED: DATE:				
UNIT: mm	.XXX ± 0.10 .XXX° ± 0.5'					

ECN. NO	REV	DATE	DESCRIPTION	CHANGED	APPROVED	UNIT: mm
	A	15.04.10	新訂圖面			