

RECOMMENDED PCB LAYOUT
GENERAL TOLERANCE±0.05mm(T=0.8±0.05)

- NOTES:
- 1.ELECTRICAL:
Insulation Resistance: 100Mohm MIN.
Dielectric Withstanding Voltage: 100V AC at Sea Level.
 - 2.MECHANICAL:
Insertion Force: 5N Min, 20N Max.
Withdrawing Force: 8N Min, 20N Max.
Durability: 10000 CYCLES

XLXTN-XX
 塑胶颜色: A:黑色, B:黑色, L:蓝色
 PCB类型: 端子镀金u"数: 1:1u", 1:3u", 1:15u", 1:30u"

6	GND SPRING	1	SUS	
5	INSERT MOLDING SPRING	2	Thermoplastic plastic	BLACK
4	INSERT MOLDING 12	2	Thermoplastic plastic	BLACK
3	CONTACT	24	COPPER ALLOY	CONTACT AREA:Gold SOLDER TAILS:Tin NICKEL UNDERPLATED OVERALL
2	LATCH	1	SUS	
1	SHELL	1	SUS	NI 50-90u"
ITEM	PARTS NAME	Q'TY	MATERIAL	FINISH/REMARK

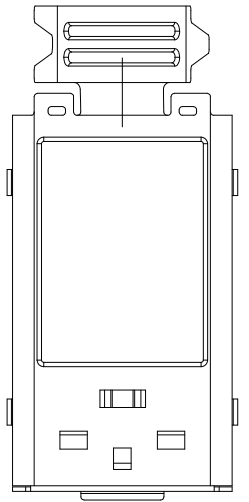
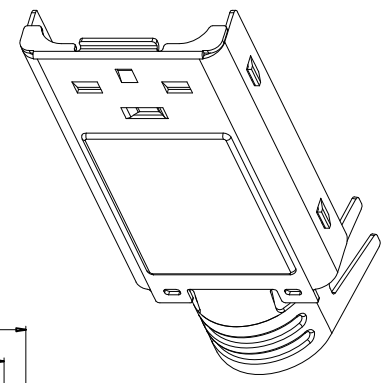
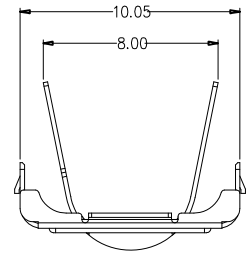
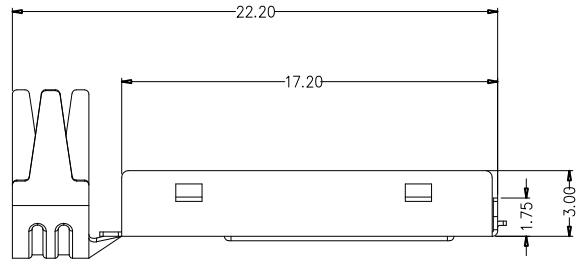
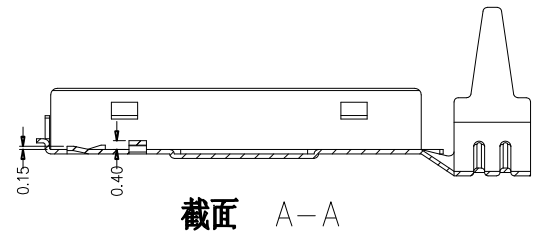
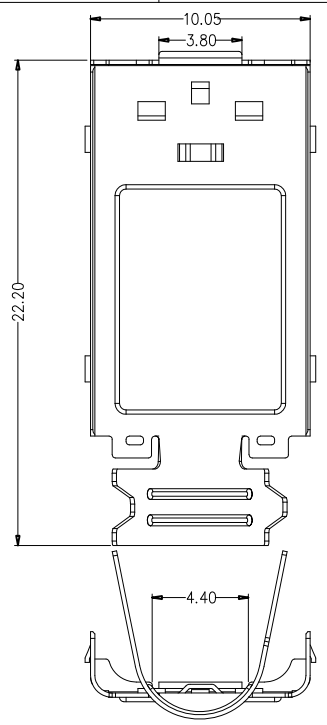


COMPUTER NO. UNIT SCALE PART NAME

APPD. CKD. DWG. DATE TOLERANCE PART NO. REV

MODEL PAGE 1 OF 3 2015/06/08 .x ±0.25 .xx ±0.15 USB3.1-CM-CN04 A0

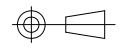
REV	ZONE	REVISION	DATE



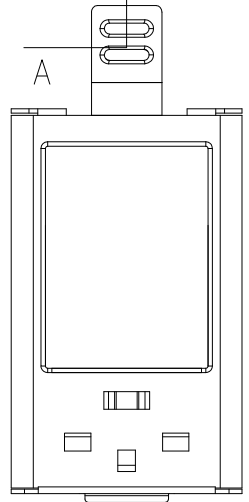
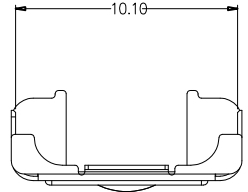
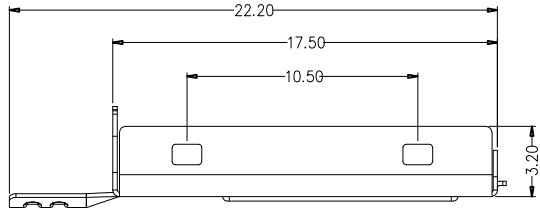
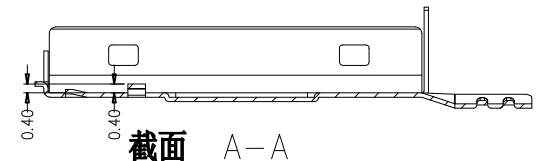
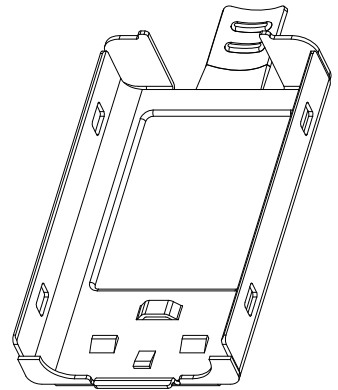
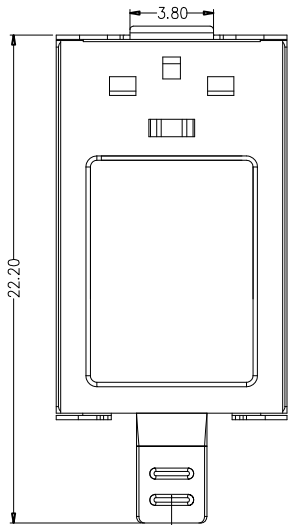
技术要求
 1. 材质: SUS 304 1/2H R=0.20
 2. 外壳镀镍50-120u"



COMPUTER NO.			UNIT	SCALE	PART NAME	
			mm	1:1	USB C/M TYPE 长上铁壳	
APPD.	CKD.	DWG.	DATE	TOLERANCE	PART NO.	REV
			2015/03/07	.x ±0.38 .xx ±0.20		A0



REV	ZONE	REVISION	DATE



技术要求

1. 材质: SUS 304 1/2H $\Gamma=0.20 \pm 0.01$
2. 外壳镀镍50-120u"



COMPUTER NO.			UNIT	SCALE	PART NAME	
			mm	1:1	USB C/M TYPE 长下铁壳	
APPD.	CKD.	DWG.	DATE	TOLERANCE	PART NO.	REV
MODEL	PAGE 3 OF 3		2015/03/07	x: ±0.38 :xx ±0.20		A0