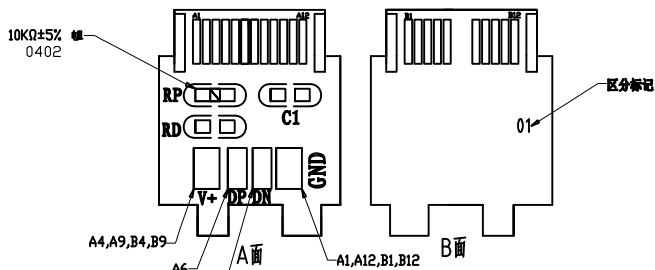
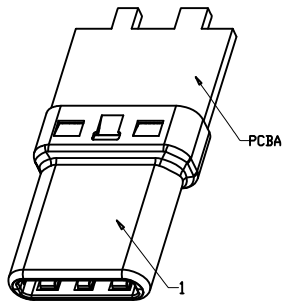
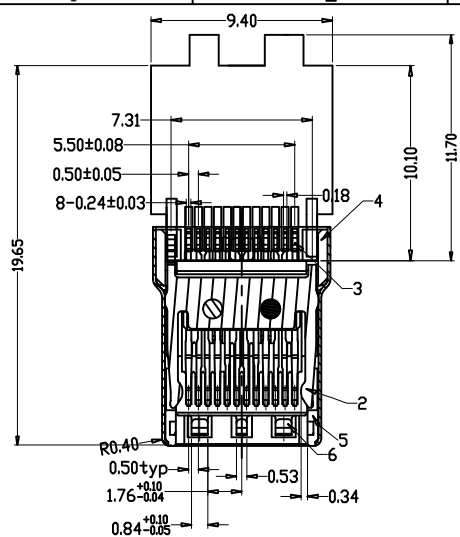
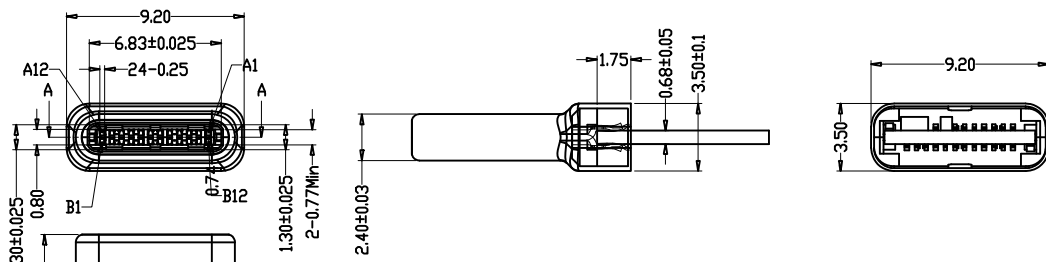


REV	ZONE	6	7	8
		REVISION		DATE



RECOMMENDED PCB LAYOUT
 GENERAL TOLERANCE ±0.05mm (T=0.8±0.05)

- NOTES:
- ELECTRICAL:
 Insulation Resistance: 100Mohm MIN.
 Dielectric Withstanding Voltage: 100V AC at Sea Level.
 - MECHANICAL:
 Insertion Force: 5N Min, 20N Max.
 Withdrawing Force: 8N Min, 20N Max.
 Durability: 10000 CYCLES



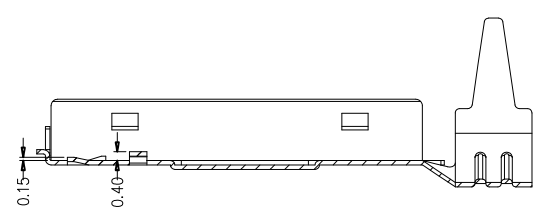
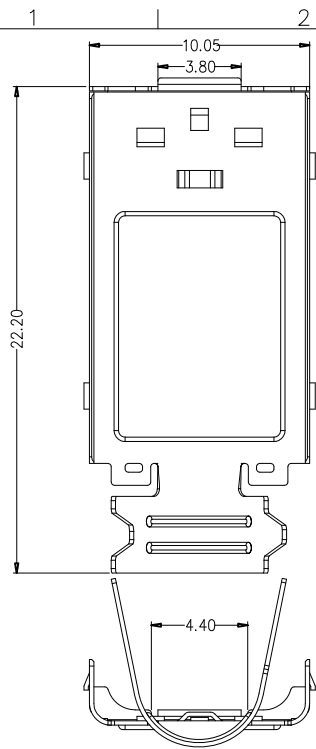
PART NO: XLXTN-XX
 塑胶颜色: A:白色, B:黑色, L:蓝色
 PCP 类型: 端子镀金u"数: 1:1u", 1:3u", 1:15u", 1:30u"

6	GND SPRING	1	SUS	
5	INSERT MOLDING SPRING	2	Thermoplastic plastic	BLACK
4	INSERT MOLDING 12P	2	Thermoplastic plastic	BLACK
3	CONTACT	24	COPPER ALLOY	CONTACT AREA:Gold SOLDER TAILS:Tin NICKEL UNDERPLATED OVERALL
2	LATCH	1	SUS	
1	SHELL	1	SUS	NI 50-90u"
ITEM	PARTS NAME	Q'TY	MATERIAL	FINISH/REMARK

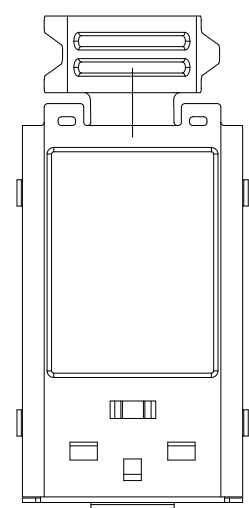
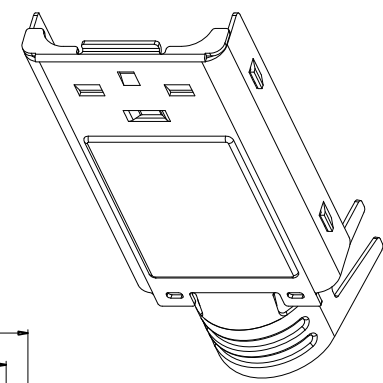
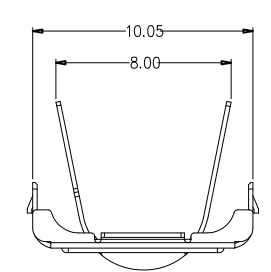
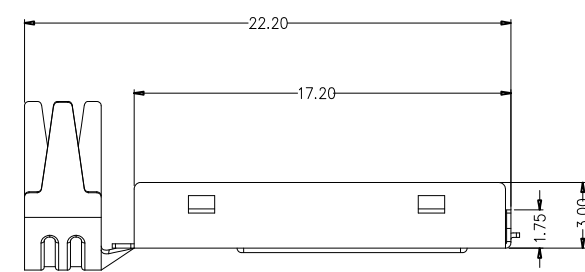


MODEL	PAGE 1 OF 3	APPD.	CKD.	DWG.	COMPUTER NO.	UNIT	SCALE	PART NAME
						mm	1:1	USB C/M TO AM2.0 3A/5V
					DATE	TOLERANCE	PART NO.	REV
					2015/06/08	.x ±0.25 .xx ±0.15	USB-type-c-2.0-CN02	A0

REV	ZONE	REVISION	DATE



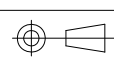
截面 A-A



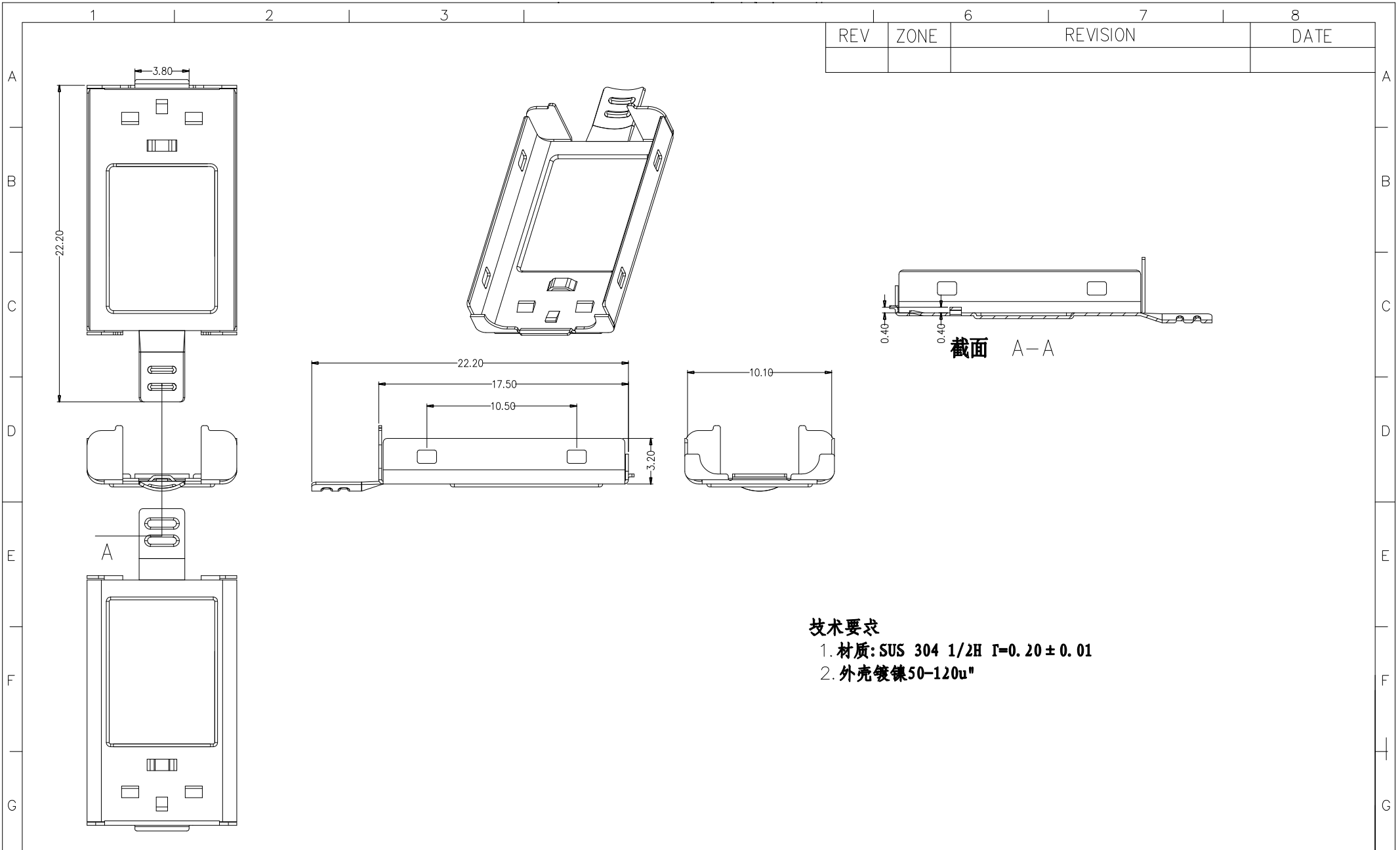
- 技术要求**
1. 材质: SUS 304 1/2H $\Gamma=0.20$
 2. 外壳镀镍50-120 μ "



COMPUTER NO.			UNIT	SCALE	PART NAME	
			mm	1:1	USB C/M TYPE 长上铁壳	
APPD.	CKD.	DWG.	DATE	TOLERANCE	PART NO.	REV
			2015/03/07	.x ±0.38 .xx ±0.20		A0



REV	ZONE	REVISION	DATE



技术要求
 1. 材质: SUS 304 1/2H $\Gamma=0.20 \pm 0.01$
 2. 外壳镀镍50-120 μ "



COMPUTER NO.			UNIT	SCALE	PART NAME	
			mm	1:1	USB C/M TYPE 长下铁壳	
APPD.	CKD.	DWG.	DATE	TOLERANCE	PART NO.	REV
			2015/03/07	.x ± 0.38 .xx ± 0.20		A0

MODEL	UBC-S3MP-TN-05	PAGE	3 OF 3	
1	2	3		