

RoHS Compliant

ECN NO	REV	DESCRIPTION	DATE	REVISER	APPD
20100805	B	CHANGE PLASTIC MATERIAL			

NOTE:

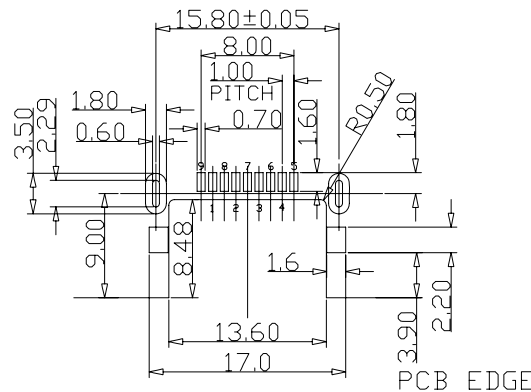
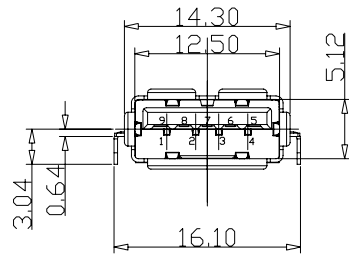
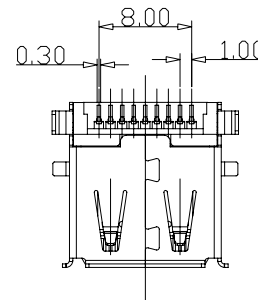
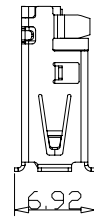
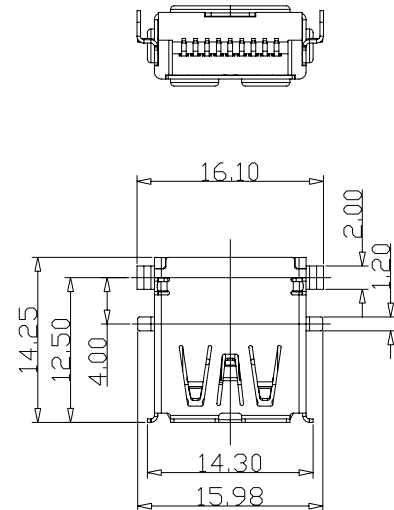
- 1. MATERIAL:**
- 1.1 INSULATOR:LCP
 - 1.2 CONTACT:BRASS(T=0.25mm)
 - 1.3 SHELL:SPCC OR COPPER(T=0.30mm)
- 2. ELECTRICAL CHARACTERISTICS:**
- 2.1 CONTACT RESISTANCE:30mΩ MAXIMUM
 - 2.2 CONTACT CURRENT RATING:1.5A
 - 2.3 DIELECTRIC WITHSTANDING VOLTAGE:500 V R.M.S.
 - 2.4 INSULATION RESISTANCE 1000 MEGOHMS MIN
 - 2.5 OPERATING TEMPERATURE:-40° C ~ 85° C
- 3 MECHANICAL CHARACTERISTICS:**
- 3.1 MATING FORCE:3.57kg MAX
 - 3.2 UNMATED FORCE:1.02kg MIN
 - 3.3 DURABILITY:MANDATORY:5,000 CYCLES
- 4. PLATING**
- 4.1 TERMINAL:GOLD FLASH ALL OVER 50u" MIN
NICKEL AND 1u"MIN Tin ALL OVER 50u" MIN NICKEL
ON SOLDER AREA
 - 4.2 SHELL:150u"MIN. NICKEL OVER 20u"MIN COPPER

5. P/N: *9*5-*9*

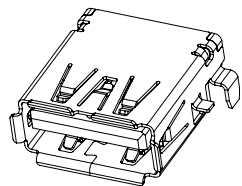
SHELL & PLATING CODE
 1: COPPER,NICKEL PLATING
 0: SPCC,NICKEL PLATING

RESIN& COLOR CODE
 0: LCP,BLUE COLOR
 1: LCP,BLACK COLOR
 2: LCP,RED COLOR

PACKAGING CODE
 1: TRAY PACKAGING
 2: TAPE REEL PACKAGING
 3: PE BAG PACKAGING
 4: TUBE PACKAGING
 -RoHS Compliant & Lead Free
 TERMINAL CONTACT PLATING CODE:
 1: GOLD FLASH
 2: 3u" GOLD
 3: 5u" GOLD
 4: 10 u" GOLD
 5: 15u" GOLD
 6: 30u" GOLD



RECOMMENDED
PCBA LAYOUT



TOLERANCE UNSPECIFIED	
X. ± 0.2	X.° ± 3'
.X ± 0.15	.X° ± 2'
.XX ± 0.1	.XX° ± 1'
.XXX ± 0.05	.XXX° ± 0.5'



BossConn



SCALE NON UNIT mm

DRAWN: Andy 10/08/05	NAME	SHEET
DESIGNER:	USB 3.0 A Female. SMT Type	1/1
CHECKED:		
APPROVED:	DRAWING NO. USB3-AFSMT-CD01	REV B