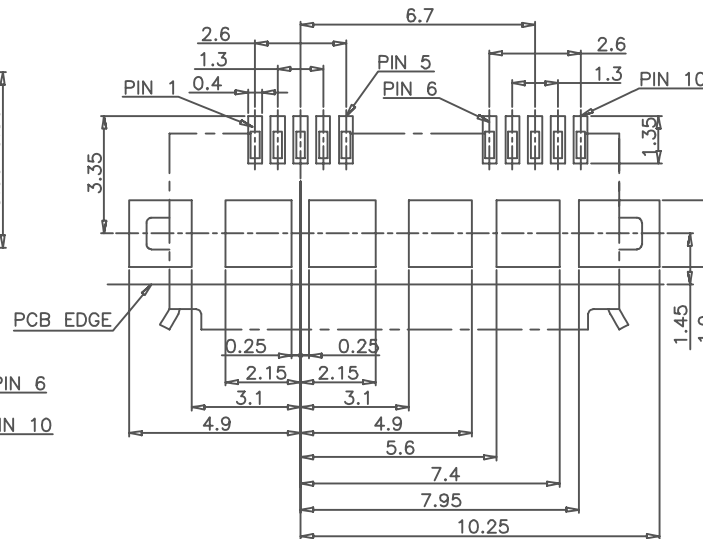
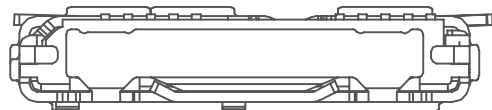
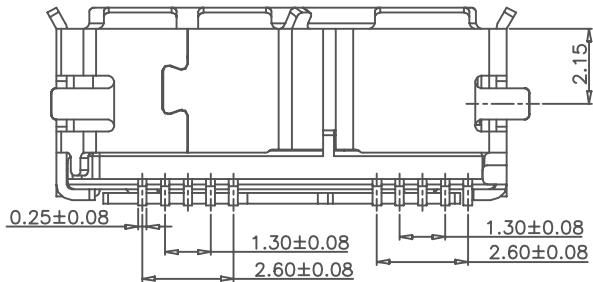
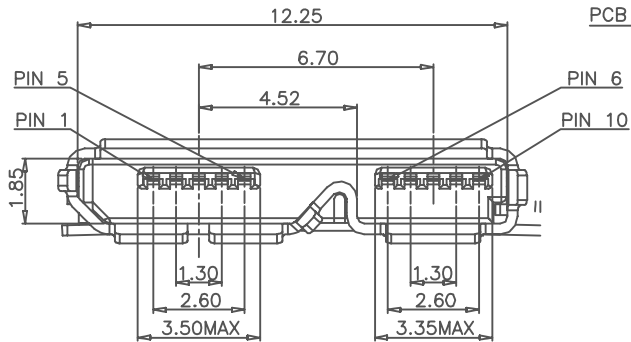
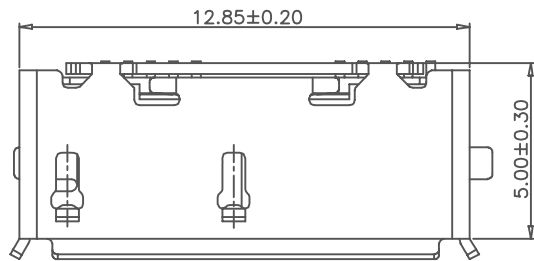
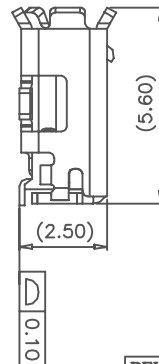


REV.	ECN.NO.	DATE
A	RELEASED	11/03/09



RECOMMENDED P.C.B LAYOUT  
TOLERANCE:±0.05



NOTE:

- 1.DIMENSIONS SHALL BE INTERPRETED PER ANSI Y14.5M-1994.
- 2.PRODUCT MUST MEET THE RoHS SPEC.
- 3.THIS PRODUCT IS MET STANDARD SPEC AND NO NOTICE WHEN WODIFIED.
- 4.PRODUCT CODE: -10 0 1 3 1 \*\* 0 0 \* 0

- (A) : USB 3.0 MICRO  
(B) : PIN NO. 10: 10PIN  
(C) : PRODUCT TYPE: 0: RECEPTACLE  
(D) : MOLDING-ASSY(INSULATOR MATERIAL):  
1: HIGH TEMPERATURE THERMOPLASTIC. HALOGEN FREE  
(E) : SHELL PLATING: 1:NI 3:TIN  
(F) : TERMINAL MATERIAL: 1: COPPER ALLOY  
(G) : PLATING:  
SB: 1u"Au 50u"Ni 100u"Sn  
SC: 3u"Au 50u"Ni 100u"Sn  
SD: 5u"Au 50u"Ni 100u"Sn  
SE: 10u"Au 50u"Ni 100u"Sn  
SA: 15u"Au 50u"Ni 100u"Sn  
SF: 30u"Au 50u"Ni 100u"Sn  
(H) : COLOR 0: BLACK  
(I) : PRODUCT TYPE: 0: USB 3.0 MICRO B TYPE  
(J) :  
(K) : NOTE: 0:NOT

REV	Units	mm	Scale	5:4	Drawing By	Data	深圳博士联电子有限公司			
	Tolerance Unless Otherwise Specified				Reviewed By	Data				Date
	.X	~ ±0.38			Approval By	Data	Sheet	1 of 1		
	.XX	~ ±0.25					Third Angle Projection			
	.XXX	~ ±0.20								
	Angle	~ ± 3°					Drawing No.			

REV A