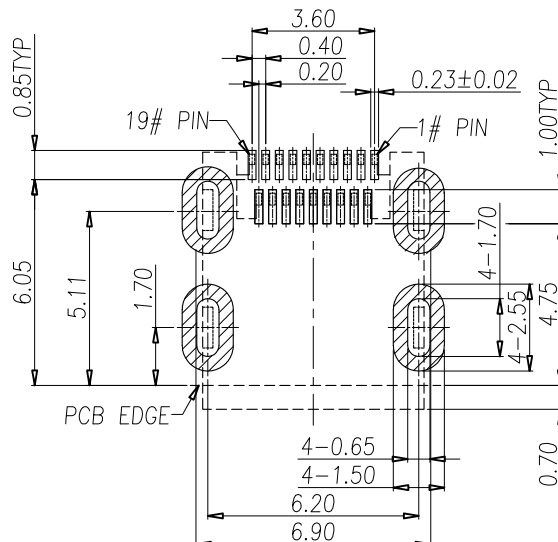
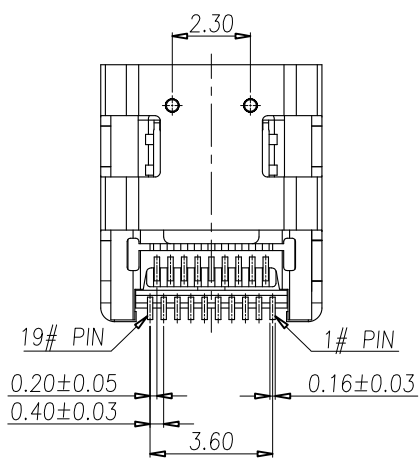
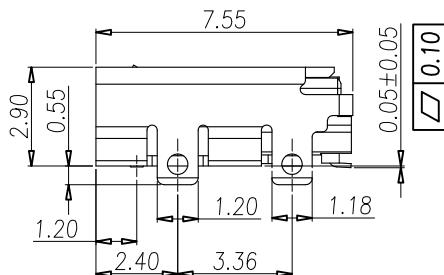
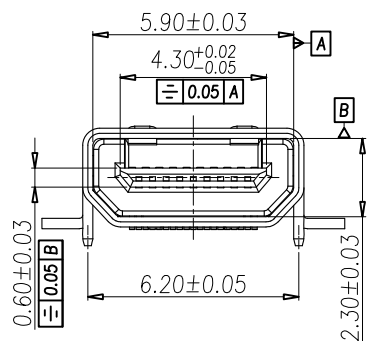
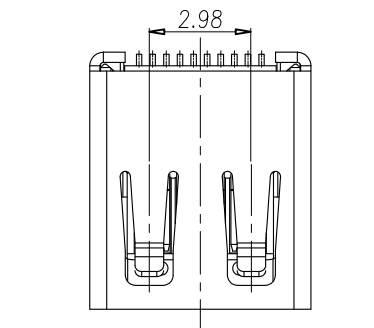


REV.	DESCRIPTION	CHANGED	ECN/NO.	DATE
A0	NEW ISSUE			2012/8/17

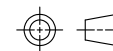
NOTES:

- 1.) MATERIAL:
 - 1-1. HOUSING:LCP,UL 94V-0,COLOR:BLACK;
 - 1-2. CONTACT:COPPER ALLOY T=0.12;
 - 1-3. SHELL:COPPER ALLOY T=0.30mm;
- 2.) FINISH:
 - 2-1. CONTACT: Au PLATING ON CONTACT AREA,(SEE P/N DESCRIBING) MATTE PURE Sn 100u" Min. PLATING ON SOLDER TAILS,50u" MIN. Ni UNDERPLATING OVERALL;
- 3.) SPECIFICATIONS:
 - 3-1. VOLTAGE RATING: 40V
 - 3-2. CURRENT RATING: 0.3A
 - 3-3. INSULATION RESISTANCE: 100MEG.OHM MIN
 - 3-4. CONTACT RESISTANCE: 30 MILL.OHM MAX
 - 3-5. OPERATION TEMPERATURE: -20° TO +85°
 - 3-6. INSERT FORCE: 44.1N MAX
 - 3-7. EXTRACT FORCE: 5~25N
 - 3-8. DURABILITY: 5000 CYCLES



RECOMMENDED PCB LAYOUT (T:0.60mm)
TOLERANCE UNSPECIFIED ±0.05mm

 **BossConn**



公差参考表			产品名称	HDMI D Type Female, SMT For Terminal. All DIP For OuterShell			
X	±0.35	ANGLE	产品编号	HDD-F-CN03			
XX	±0.25	X'	核准	版本	A0	单位	MM
XXX	±0.15	X.X'	审核	单重		比例	
XXX	±0.050	X.XX'	制图	唐周辉	模具编号	页码	1/1