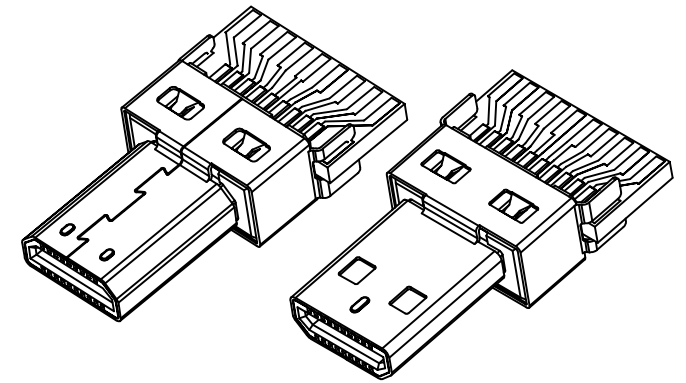
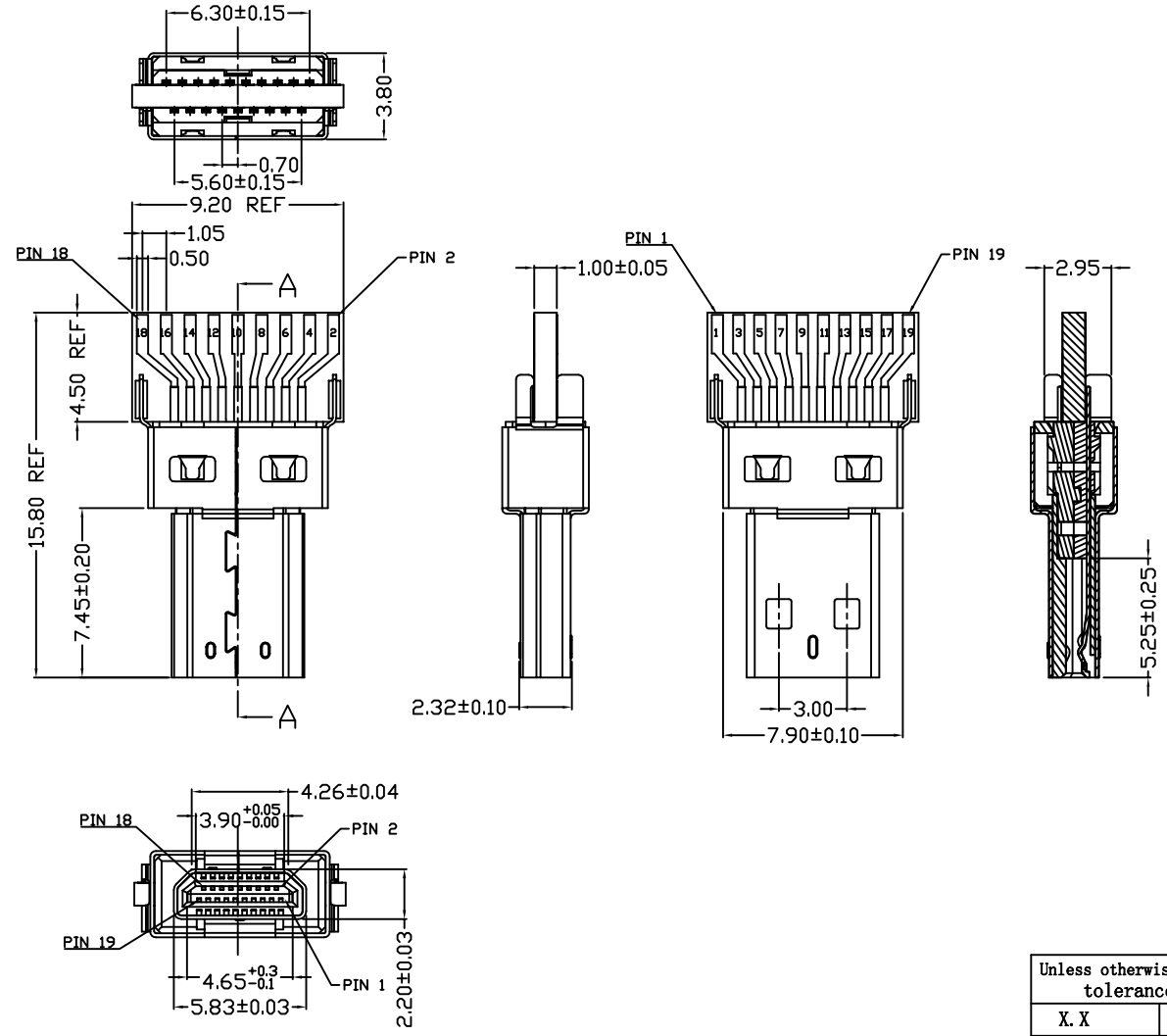


REV.	ZONE	DESCRIPTION	DESIGN	DATE
A		初版发行	Jack	13.06.25



- 电气性能:
1. 额定电压: 30V
 2. 额定电流: 0.8A
 3. 接触阻抗: 10毫欧
 4. 高压: 未插入 250V 插入 150V
 5. 绝缘阻抗: 未插入 100兆欧 插入 10兆欧
- 机械性能:
1. 插入力: 44N max
 2. 拔出力: 5N min
 3. 插拔寿命: 5000 cycles

⑤	PCB	1	T=1.0mm	
④	SHELL	1	C2680-H T=0.15mm	Plating: Ni100u", Au*"
③	Housing	1	LCP (black)	UL94V-0
②	10P CONTACT	1	C5191-H T=0.15mm	Plating: Ni100u", Sn:100u" Au*"
①	9P CONTACT	1	C5191-H T=0.15mm	Plating: Ni100u", Sn:100u" Au*"
ITEM	PART NAME	Q'TY/EA	MATERIALS	NOTE

Unless otherwise specified tolerances are

X.X	±0.25
X.XX	±0.20
X.XXX	±0.15
X°	±2.0°
X.X°	±1.0°

BossConn Electronics

DRAW NO.	DATE	DRAW NAME:
DWN	13.06.25	HDMI D TYPE 公头 焊线式+PCB板 19P
CHK		P/N : HDD-M-CN11
APVD		

FINISH	UNIT	SCALE	WEIGHT	REV	SHEET
MATERIAL	mm	1:1		A	1 OF 1

Third Angle Project