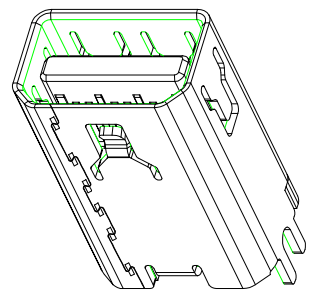
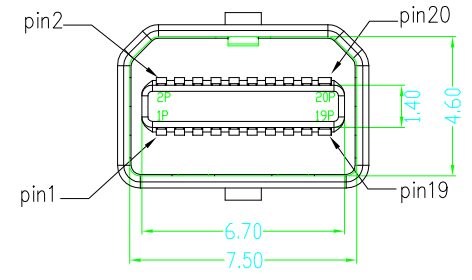


REV.	ECN. NO.	DESCRIPTION	DATE
A	—	首次发行	2018/11/21



NOTES:

***Material**

Body and sheath: LCP+50%G.F UL94V-0 Color:Black
 Insert(Molding): LCP+30%G.F UL94V-0 Color:Black
 Contact: Phosphor Bronze;
 Plating: Gold plating over Nickel(40u" MIN)
 on contact area,Tin(80u" MIN)
 Plating on Solder Tail.
 Shell: SPCC;
 Plating: Nickel(40u" MIN) Plating.

3. 料号说明:

DPX92B20X-XX-00-A

外壳电镀:

- N: 镍
- G: 金

胶芯颜色:

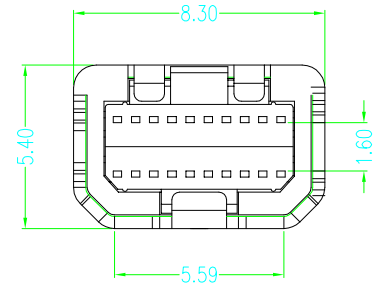
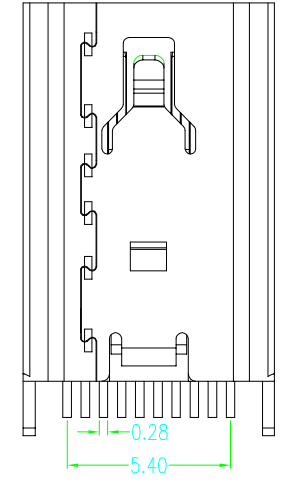
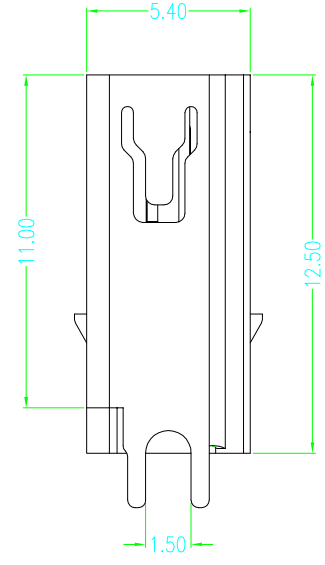
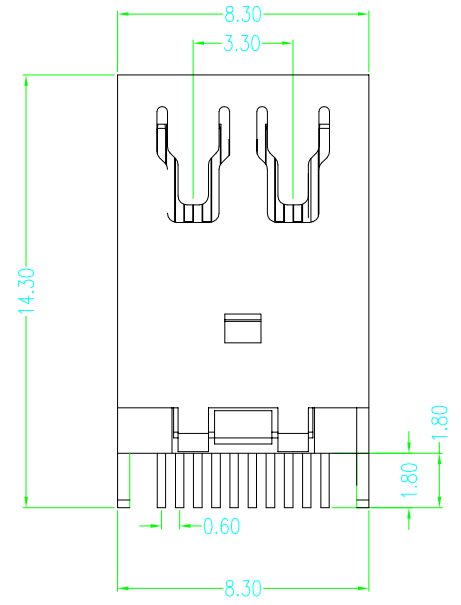
- 0: 白色 1: 黑色

端子电镀:

- A: G/F 雾锡 1: G/F 亮锡
- B: 3u" 雾锡 2: 3u" 亮锡
- C: 30u" 雾锡 3: 30u" 亮锡
- D: 5u" 雾锡 4: 5u" 亮锡
- F: 15u" 雾锡 5: 15u" 亮锡

胶芯材质:

- F: PBT H: LCP



THIS DRAWING CONTAINS INFORMATION THAT IS PROPRIETARY TO BSC INCORPORATED AND SHOULD NOT BE USED WITHOUT WRITTEN PERMISSION			
PART No: DPX92B20X-XX-00-A	MOLD No:	SUPPLIER: XX	TITLE: Mini DisplayPort 母座 夹板1.6
TOLERANCES: X ± 0.35 X. ± 5 XX ± 0.25 XX ± 3	CAV. No: 1~1 1~2 1~16 A~P ○ 其他	APPD: Younger 2018/08/30 CHKD: DR: James 2018/08/30	DWG NO: MDP-F-CN06 SCALE: 1:1 SHEET: 1 OF 1