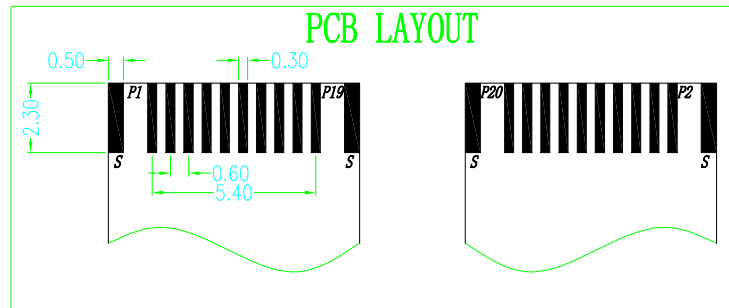
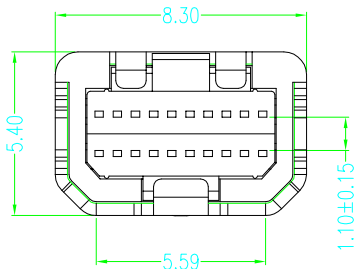
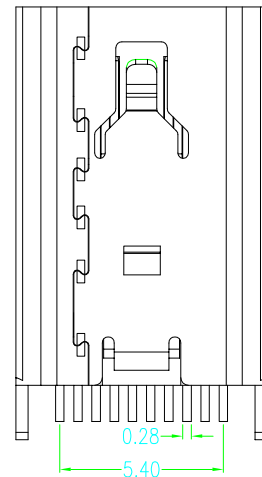
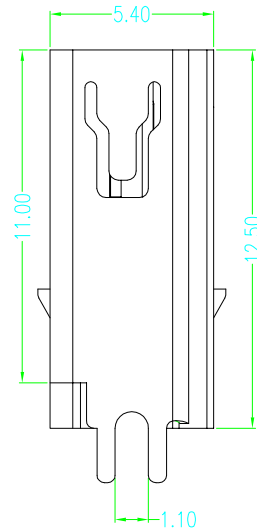
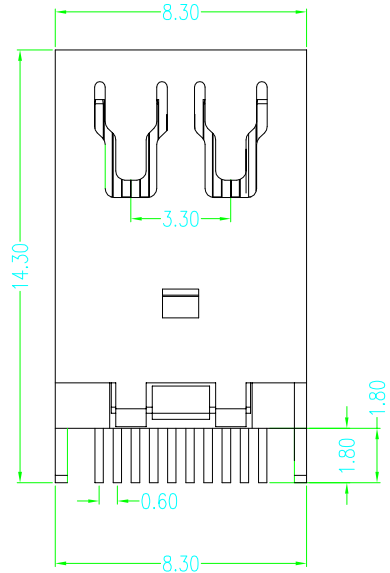
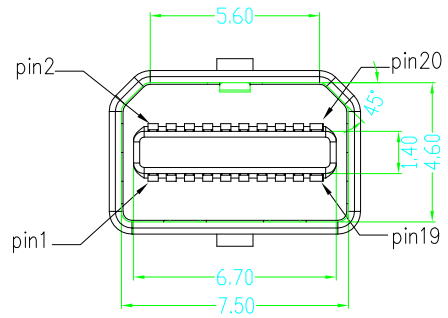


REV.	ECN. NO.	DESCRIPTION	DATE
A	—	首次发行	2018/11/21
A1	—	修改夹板尺寸1.1	2019/05/21



NOTES:

*Material

Body and sheath: LCP+50%G.F UL94V-0 Color:Black
 Insert(Molding): LCP+30%G.F UL94V-0 Color:Black
 Contact: C7025;
 Plating: Gold plating over Nickel(40~80U")
 on contact area,Tin(100~250U")
 Plating on Solder Tail.
 Shell: Brass;
 Plating: Nickel(40~80U") Plating.

*Mechanical

Insertion Force: 4.5Kg Max
 Withdrawal Force: 1.0~4.0Kg Min
 Durability: 10000 Cycles

*Electrical Specification

Current Rating: 0.5 Ampere per contact
 Contact Resistance: 30 mΩ max.
 Insulation Resistance: 100MΩ Min
 Dielectric Withstanding Voltage: 500V AC Min

*Environmental

Operating Temperature: -40°C to +85°C.

料号说明:

DPX09620X-XX-00-A

外壳电镀:
 N: 镍
 G: 金

胶芯颜色:
 0: 白色 1: 黑色

端子电镀:

A: G/F 雾锡
 B: 3u" 雾锡
 C: 30u" 雾锡
 D: 5u" 雾锡
 F: 15u" 雾锡

胶芯材质:
 F: PBT
 H: LCP

THIS DRAWING CONTAINS INFORMATION THAT IS PROPRIETARY TO BSC INCORPORATED AND SHOULD NOT BE USED WITHOUT WRITTEN PERMISSION



BossConn

PART No: DPX09620X-XX-00-A

MOLD No:

SUPPLIER: XX

TITLE: Mini DisplayPort 母座 夹板1.1

TOLERANCES:
 X ± 0.35 X ± 5'
 XX ± 0.25 XX ± 3'

CAV. No: 1~1 1~2 A~P

APPD: Weison 2018/08/30

DWG NO: MDP-F-CN05

1~16 A~P
 ○ 其它

CHKD:
 DR: Chen Lin 2018/08/30

SCALE: 1:1

SHEET: 1 OF 1